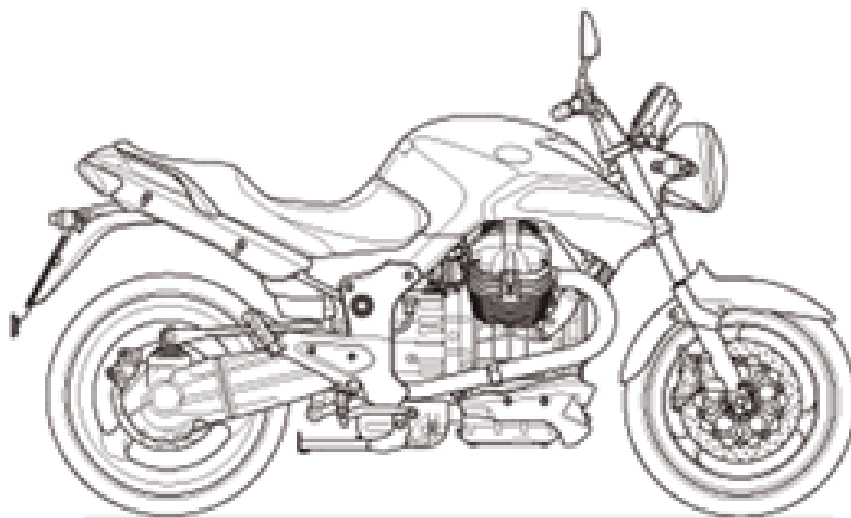




PIAGGIO & C.s.p.a.



SPARE PARTS CATALOGUE



Breva 1200 1200 2007

Chassis prefix: ZGULPG

Engine prefix:

BREVA

GU089



Index

Products.....	4
Part reference.....	5
FRAME.....	11
Drawing 33.01 - Frame.....	11
Drawing 33.02 - Stands.....	12
Drawing 33.03 - Foot rests I.....	13
Drawing 33.04 - Foot rests II.....	14
Drawing 33.05 - Gear lever.....	15
Drawing 33.06 - Steering.....	16
Drawing 33.07 - Front fork.....	17
Drawing 33.08 - Swing arm.....	19
Drawing 33.12 - Connecting rod - rear shock abs.....	20
Drawing 33.13 - Fuel tank.....	21
Drawing 33.14 - Front body - Duct.....	22
Drawing 33.15 - Front mud.-Pillar.....	23
Drawing 33.16 - Saddle-Central bod.....	24
Drawing 33.17 - Rear body - Mudguard.....	26
Drawing 33.18 - Rear body - Rear fairing.....	27
Drawing 33.19 - Dashboard.....	29
Drawing 33.20 - Handlebar - Controls.....	31
Drawing 33.21 - Front master cilinder.....	33
Drawing 33.22 - Clutch control complete.....	34
Drawing 33.23 - Oil cooler.....	35
Drawing 33.24 - Blow-by system.....	36
Drawing 33.26 - Air box.....	37
Drawing 33.27 - Exhaust unit.....	38
Drawing 33.28 - Internal fuel pump.....	39
Drawing 33.29 - Front wheel.....	40
Drawing 33.30 - Front brake caliper.....	41
Drawing 33.31 - Rear wheel.....	42
Drawing 33.32 - Rear master cylinder.....	43
Drawing 33.33 - Rear brake caliper.....	45
Drawing 33.34 - ABS Brake system.....	46
Drawing 33.35 - Headlight/Horn.....	47
Drawing 33.36 - Taillight.....	48
Drawing 33.37 - Electrical system I.....	49
Drawing 33.38 - Electrical system II.....	51
Drawing 33.39 - Lock hardware kit.....	53
Drawing 33.40 - Plate set-decal-op.handbooks.....	54
ENGINE.....	55
Drawing 34.09 - Transmission complete.....	55
Drawing 34.10 - Trans.cpl.-Cage.....	56
Drawing 34.11 - Trans.cpl.-Bevel gear.....	57



Drawing 34.25 - Fuel supply.....	58
Drawing 34.41 - Crank-case.....	59
Drawing 34.42 - Cylinder head and valves II.....	61
Drawing 34.43 - Crankshaft cpl.....	63
Drawing 34.44 - Timing system.....	64
Drawing 34.45 - Oil pump.....	65
Drawing 34.46 - Oil filters.....	66
Drawing 34.47 - Clutch.....	67
Drawing 34.48 - Transmission cage.....	68
Drawing 34.49 - Gear box selector.....	69
Drawing 34.50 - Primary gear shaft.....	70
Drawing 34.51 - Driven shaft.....	71
Drawing 34.52 - Clutch shaft.....	72
Drawing 34.53 - Current generator.....	73
Drawing 34.54 - Starter motor.....	74
Drawing 34.55 - Throttle body.....	75
SPECIAL TOOLS.....	76
Drawing 36.56 - Specific tools I.....	76
Drawing 36.57 - Specific tools II.....	77



BREVA
GU089 - Brevia 1200 1200 2007

Chassis prefix: ZGULPG
Engine prefix:

Products

Code	Validity
GU9032706AU801	
GU9032706AU803	
GU9032706EU701	
GU9032706EU702	
GU9032706EU703	
GU9032706GB701	
GU9032706GB702	
GU9032706GB703	
GU9032706JP701	
GU9032706JP702	
GU9032706JP703	
GU9032707EU701	
GU9032707EU702	
GU9032707EU703	



Code	Drawing Nr.	Pos.	Code	Drawing Nr.	Pos.	Code	Drawing Nr.	Pos.
0000000	33.07	26	976168	34.45	15	978606	33.21	1
0000000	33.29	14	976171	34.43	16	978607	33.22	1
0000000	33.31	8	976172	34.43	16	978774	33.20	19
000267	34.53	10	976177	34.50	4	978775	33.20	20
224202	34.42	8	976178	34.51	7	978991	33.37	1
277916	34.45	2	976179	34.50	9	978991	33.38	1
292022	33.35	4	976180	34.51	11	981011	34.55	5
292022	33.36	14	976181	34.42	10	981046	33.22	2
294353	33.35	2	976182	34.43	1	981050	33.21	2
584332	33.35	12	976183	34.43	3	981087	33.19	27
584332	33.36	10	976184	34.41	43	981115	34.46	18
584509	33.38	14	976185	34.41	44	AP4ADN000007	34.41	30
598839	33.19	23	976187	34.43	17	AP8101372	33.23	6
639542	33.02	3	976448	34.45	6	AP8101586	33.24	9
825597	34.42	9	976481	34.43	20	AP8101588	33.24	11
825597	34.43	15	976484	34.43	21	AP8101595	33.13	12
829122	34.46	17	976521	33.27	19	AP8101595	33.17	15
849131	34.43	14	976522	33.27	11	AP8101595	33.26	17
854603	33.21	2	976523	33.27	12	AP8101595	33.32	5
883045	34.09	7	976635	34.46	8	AP8101595	34.48	15
883079	33.27	16	976688	34.45	17	AP8101861	33.03	13
883347	33.19	1	976919	34.48	17	AP8101968	33.32	16
883348	33.19	1	976930	34.41	47	AP8102151	33.24	3
883538	33.16	1	977041	33.32	14	AP8102151	33.32	28
883542	33.20	11	977056	33.31	10	AP8102375	33.14	9
883640	33.40	17	977079	33.02	1	AP8102375	33.15	3
883641	33.40	18	977080	33.02	2	AP8102375	33.15	6
883642	33.40	19	977149	34.25	3	AP8102375	33.17	6
883643	33.40	20	977261	33.08	1	AP8102375	33.18	4
883644	33.40	16	977262	34.09	2	AP8102502	33.16	12
883645	33.40	14	977266	33.29	1	AP8102520	33.24	4
883646	33.40	15	977268	33.31	1	AP8102523	33.16	11
883647	33.20	9	977339	33.31	1	AP8102524	33.02	9
883648	33.20	1	977340	33.31	5	AP8102765	33.24	17
883650	33.14	1	977522	33.20	5	AP8102913	33.16	8
883651	33.14	6	977662	33.27	1	AP8102914	33.16	7
883802	33.20	22	977663	33.27	2	AP8104211	33.26	2
883802	33.20	23	977664	33.27	4	AP8104451	33.13	15
883818	33.38	2	9776651	33.27	20	AP8104572	33.20	7
883819	33.38	3	977666	33.39	1	AP8104666	33.13	13
883828	33.17	1	977676	33.37	2	AP8106713	33.22	1
890517	33.16	3	977700	33.01	1	AP8110066	33.12	5
976003	34.43	13	977761	33.38	27	AP8110068	33.12	6
976031	34.43	12	977762	33.38	28	AP8110077	33.06	8
976052	34.42	20	977769	33.38	22	AP8112811	33.38	9
976064	34.43	9	977771	33.38	23	AP8112811	33.38	9
976069	34.43	2	977772	33.38	21	AP8112996	33.32	27
976070	34.43	4	977773	33.38	20	AP8113004	33.22	9
976071	34.43	5	977805	33.01	14	AP8113288	33.32	3
976072	34.43	6	977806	33.01	13	AP8113594	33.32	2
976079	34.42	1	977809	33.01	7	AP8113993	33.21	5
976080	34.42	2	977918	33.39	6	AP8113993	33.22	4
976083	34.41	25	977923	33.37	2	AP8113995	33.21	3
976095	34.42	36	978093	33.01	15	AP8113997	33.22	5
976098	34.41	15	978220	33.39	5	AP8113998	33.22	6
976101	34.41	27	978244	33.37	1	AP8117200	33.38	5
976102	34.48	1	978244	33.38	1	AP8117200	34.54	5
976104	34.48	5	978247	33.40	7	AP8118579	33.20	6
976107	34.42	3	978249	33.16	1	AP8118659	33.22	2
976110	34.41	1	978314	33.20	13	AP8120030	33.26	12
976126	34.09	1	978315	33.20	14	AP8120030	33.37	5
976134	34.45	1	978503	33.40	1	AP8120177	33.38	6
976139	34.42	38	978505	33.38	11	AP8120178	33.32	13
976144	34.42	41	978553	33.40	1	AP8120405	33.36	4
976152	34.42	4	978570	33.20	22	AP8120428	33.26	19
976153	34.42	22	978570	33.20	23	AP8120428	34.55	6
976165	34.45	3	978606	33.21	1	AP8120455	33.18	16



Code	Drawing Nr.	Pos.	Code	Drawing Nr.	Pos.	Code	Drawing Nr.	Pos.
AP8120485	34.11	7	AP8150046	33.04	12	AP8152339	33.17	5
AP8120594	33.15	10	AP8150046	34.41	16	AP8152339	33.18	3
AP8120615	33.26	4	AP8150255	33.19	4	AP8152339	33.19	13
AP8120876	33.26	18	AP8150292	33.02	7	AP8152384	33.06	10
AP8120912	33.05	3	AP8150292	33.12	13	AP8152385	33.30	7
AP8120912	33.32	20	AP8150413	33.14	3	AP8152396	33.12	16
AP8120952	33.13	14	AP8150421	33.19	15	AP8152397	33.12	9
AP8120952	33.17	14	AP8150421	33.26	13	AP8152398	33.12	2
AP8120952	34.48	16	AP8150432	33.01	11	AP8152409	33.03	2
AP8120965	33.13	11	AP8150462	33.05	5	AP8152410	34.09	3
AP8121032	34.54	7	AP8150462	33.32	22	AP8152482	33.12	15
AP8121096	33.18	15	AP8150509	33.19	5	AP8201124	33.13	2
AP8121098	34.11	6	AP8150509	33.24	7	AP8201301	33.32	17
AP8121133	33.03	12	AP8152001	33.02	8	AP8201358	33.24	16
AP8121155	33.12	10	AP8152043	34.44	21	AP8201808	33.17	16
AP8121170	33.27	17	AP8152055	33.18	14	AP8201808	33.33	12
AP8121205	33.06	9	AP8152147	33.12	12	AP8202238	33.33	11
AP8121207	33.06	4	AP8152238	33.19	20	AP8202238	33.34	10
AP8121218	34.09	4	AP8152242	34.09	5	AP8212702	33.36	5
AP8121221	33.05	2	AP8152267	33.17	9	AP8213113	33.33	8
AP8121221	33.32	19	AP8152272	33.31	12	AP8213113	33.34	9
AP8121223	33.32	24	AP8152273	33.32	30	AP8220150	33.19	3
AP8121567	33.03	1	AP8152273	34.25	2	AP8220162	33.04	14
AP8121804	33.13	6	AP8152274	34.25	6	AP8220283	33.38	19
AP8121927	33.32	23	AP8152277	33.03	3	AP8220526	33.04	15
AP8121994	33.02	6	AP8152277	33.38	12	AP8220546	33.38	17
AP8123641	33.06	7	AP8152278	33.22	11	AP8221023	33.26	11
AP8123642	33.06	5	AP8152278	33.26	20	AP8221023	33.37	6
AP8123643	33.06	3	AP8152278	33.29	19	AP8221036	33.06	15
AP8123644	33.06	6	AP8152278	33.31	14	AP8221036	33.36	3
AP8124768	33.38	13	AP8152278	33.32	12	AP8221128	33.15	9
AP8124869	33.38	16	AP8152278	34.47	14	AP8221145	33.32	11
AP8124936	33.19	16	AP8152279	33.26	10	AP8221204	33.02	10
AP8124976	33.36	6	AP8152279	33.32	4	AP8221211	33.02	11
AP8124985	33.19	22	AP8152279	33.37	4	AP8221227	33.01	12
AP8125773	33.29	4	AP8152282	33.37	7	AP8221277	33.03	5
AP8125777	33.29	3	AP8152286	33.35	15	AP8221307	33.01	9
AP8125779	33.29	5	AP8152287	33.15	8	AP8224164	33.17	10
AP8125791	33.29	9	AP8152291	33.13	7	AP8224462	33.38	18
AP8127469	33.29	18	AP8152291	34.41	4	GU00823923140	33.02	14
AP8127514	33.35	9	AP8152292	33.18	8	GU00823950050	33.32	6
AP8127515	33.35	10	AP8152298	33.06	14	GU00823955080	33.24	8
AP8127552	33.35	11	AP8152298	33.36	2	GU01003651	34.41	24
AP8127552	33.36	9	AP8152298	34.25	5	GU01037030	34.42	10
AP8127817	33.28	5	AP8152298	34.42	21	GU01038060	34.42	13
AP8133594	33.21	7	AP8152299	33.16	10	GU01038160	34.42	14
AP8133594	33.22	8	AP8152299	33.37	29	GU01051730	34.44	8
AP8133594	33.34	2	AP8152300	33.04	6	GU01054001	34.44	5
AP8133597	33.33	7	AP8152300	33.35	17	GU01067930	34.43	22
AP8133597	33.34	8	AP8152301	33.01	8	GU01106090	33.28	2
AP8133962	33.33	10	AP8152301	33.12	11	GU01108490	33.28	4
AP8134378	33.27	22	AP8152302	33.14	8	GU01114390	34.55	14
AP8134448	33.17	8	AP8152302	33.15	2	GU01154230	33.23	2
AP8134451	33.03	9	AP8152302	33.18	6	GU01154230	33.24	15
AP8135608	33.12	8	AP8152306	33.17	11	GU01161331	33.23	3
AP8135924	33.12	4	AP8152306	33.36	7	GU01161331	33.24	14
AP8140190	36.57	2	AP8152318	33.08	2	GU01163500	34.46	5
AP8144007	33.05	7	AP8152320	33.33	2	GU01163700	34.46	7
AP8144007	33.32	25	AP8152329	33.17	4	GU01528930	34.10	13
AP8144038	33.26	16	AP8152329	33.26	9	GU01528930	34.10	8
AP8144046	33.38	15	AP8152329	33.32	10	GU01528930	34.41	33
AP8144071	33.27	23	AP8152329	33.38	4	GU01528930	34.48	9
AP8144164	33.26	7	AP8152334	33.19	21	GU01530501	33.07	12
AP8144553	33.38	7	AP8152339	33.04	8	GU01530503	33.07	24
AP8144707	33.35	18	AP8152339	33.14	5	GU01530509	33.07	27
AP8145034	33.03	6	AP8152339	33.15	7	GU01576530	33.04	3
AP8145035	33.03	8	AP8152339	33.16	4	GU01603480	33.20	12



Code	Drawing Nr.	Pos.	Code	Drawing Nr.	Pos.	Code	Drawing Nr.	Pos.
GU01609630	33.20	21	GU05100231	33.13	1	GU05238331	34.49	14
GU01612190	33.29	11	GU05102930	33.13	16	GU05238431	34.49	9
GU01654630	33.30	3	GU05103830	33.26	5	GU05239330	34.49	17
GU01659130	33.30	5	GU05103930	33.13	8	GU05251130	33.05	1
GU01659131	33.30	6	GU05103930	33.39	2	GU05256930	33.05	13
GU01721600	33.37	20	GU05107230	33.28	1	GU05257830	33.05	12
GU01722700	33.37	22	GU05107230	34.25	1	GU05258230	33.05	10
GU01722701	33.37	22	GU05107430	33.28	3	GU05326330	34.09	6
GU01722702	33.37	22	GU05112530	34.55	1	GU05351230	34.10	2
GU01722703	33.37	22	GU05112830	34.55	2	GU05352430	34.11	2
GU01722704	33.37	22	GU05113530	33.26	6	GU05354230	34.11	1
GU01722705	33.37	22	GU05113730	33.26	3	GU05358030	34.10	6
GU01929100	36.56	7	GU05114031	33.26	1	GU05358130	34.10	5
GU01966330	36.56	20	GU05114130	33.26	8	GU05358230	34.10	7
GU02107100	33.13	5	GU05114430	34.55	17	GU05358330	34.10	1
GU03013800	34.54	9	GU05115030	34.55	3	GU05358530	34.10	15
GU03163330	33.37	26	GU05115031	34.55	8	GU05358630	34.10	16
GU03270300	33.18	9	GU05115730	34.55	4	GU05421430	33.01	2
GU03270300	33.19	8	GU05121630	33.27	10	GU05421530	33.01	3
GU03469201	34.54	8	GU05124230	33.27	9	GU05434330	33.15	1
GU03530510	33.07	17	GU05124330	33.27	7	GU05434330BM	33.15	1
GU03530524	33.07	8	GU05128230	33.27	18	GU05434330F2	33.15	1
GU03530525	33.07	7	GU05135930	34.25	4	GU05434330ND	33.15	1
GU03530526	33.07	6	GU05152230	34.46	3	GU05434330Y01	33.15	1
GU03530527	33.07	5	GU05153430	33.24	1	GU05436530	33.33	12
GU03530528	33.07	4	GU05153630	34.45	10	GU05436530	33.34	11
GU03530550	33.07	16	GU05157430	33.24	2	GU05438630	33.17	7
GU03530551	33.07	9	GU05157630	33.24	10	GU05438730	33.17	1
GU03530553	33.07	14	GU05159330	33.24	13	GU05443530	33.04	1
GU03604845	33.22	3	GU05159630	33.24	5	GU05443530NA	33.04	1
GU03609600	33.20	21	GU05161631	33.23	5	GU05446030	33.04	11
GU03617710	33.29	12	GU05162031	33.23	1	GU05446030NA	33.04	11
GU03617710	33.31	2	GU05162331	33.23	4	GU05446431	33.04	9
GU03717450	33.37	14	GU05164230	33.23	11	GU05446930	33.04	7
GU03749845	33.21	9	GU05164630	33.23	7	GU05447430	33.04	13
GU04067000	34.43	19	GU05204930	34.48	8	GU05464330	33.18	11
GU04082800	34.47	5	GU05206530	34.10	12	GU05464330NA	33.18	11
GU04084100	34.47	1	GU05210631	34.50	1	GU05464830	33.18	13
GU04086100	34.47	10	GU05210731	34.52	1	GU05466830	33.16	6
GU05001231	34.41	14	GU05211030	34.52	12	GU05466830	33.39	4
GU05001630	34.41	21	GU05211231	34.52	10	GU05467330	33.18	7
GU05002130	34.41	40	GU05211331	34.50	10	GU05476430	33.14	7
GU05003630	34.41	26	GU05211431	34.50	7	GU05479630	33.17	2
GU05004930	34.41	34	GU05211530	34.52	13	GU05490230	33.07	1
GU05005730	34.46	4	GU05211630	34.52	14	GU05490630	33.07	2
GU05007230	34.41	18	GU05213631	34.51	1	GU05490730	33.07	3
GU05007330	34.41	36	GU05214231	34.51	3	GU05493130	33.06	1
GU05011830	34.41	42	GU05214431	34.51	12	GU05494030	33.06	2
GU05023430	34.42	37	GU05214630	34.50	5	GU05504530	33.07	13
GU05025330	34.43	23	GU05214630	34.51	5	GU05525430	33.07	18
GU05025331	34.42	17	GU05214731	34.51	9	GU05526630	33.07	20
GU05025930	34.42	39	GU05215031	34.51	10	GU05530530	33.07	15
GU05036030	34.42	6	GU05217630	34.47	12	GU05530531	33.07	19
GU05036131	34.42	5	GU05230531	34.49	18	GU05530532	33.07	22
GU05053331	34.44	3	GU05230831	34.49	21	GU05530533	33.07	23
GU05054532	34.44	9	GU05232431	34.49	19	GU05530534	33.07	28
GU05055230	34.44	20	GU05232631	34.49	20	GU05530535	33.07	10
GU05058030	34.44	16	GU05234130	34.49	11	GU05530536	33.07	25
GU05081830	34.52	5	GU05234230	34.49	12	GU05547030	33.08	6
GU05084430	34.47	3	GU05234431	34.49	1	GU05547130	33.08	5
GU05085730	34.47	6	GU05234631	34.49	2	GU05547930	33.08	8
GU05086330	33.22	10	GU05234731	34.49	10	GU05548030	33.08	3
GU05086330	34.47	13	GU05234931	34.49	13	GU05550230	33.12	1
GU05100230	33.13	1	GU05235531	34.49	3	GU05560330	33.12	3
GU05100230BM	33.13	1	GU05236231	34.49	7	GU05562030	33.12	7
GU05100230F2	33.13	1	GU05238131	34.49	15	GU05562430	33.12	14
GU05100230ND	33.13	1	GU05238231	34.49	8	GU05570230	33.16	2



Code	Drawing Nr.	Pos.	Code	Drawing Nr.	Pos.	Code	Drawing Nr.	Pos.
GU05570230BM	33.16	2	GU05681130	33.34	6	GU12006400	34.45	16
GU05570230F2	33.16	2	GU05681430	33.29	16	GU12011400	34.41	28
GU05570230ND	33.16	2	GU05681530	33.31	11	GU12011700	34.41	29
GU05570231	33.16	2	GU05683130	33.34	12	GU12012200	34.41	11
GU05570430	33.16	5	GU05683730	33.31	13	GU12018900	34.41	6
GU05570430BM	33.16	5	GU05701430	34.53	7	GU12022600	34.42	15
GU05570430F2	33.16	5	GU05702530	34.53	6	GU12031800	34.42	33
GU05570430ND	33.16	5	GU05704531	33.38	2	GU12082300	34.47	4
GU05570431	33.16	5	GU05704630	33.38	3	GU12087001	34.47	9
GU05570530	33.15	4	GU05712431	34.53	1	GU12154200	34.45	13
GU05570630	33.15	5	GU05716530	33.37	8	GU12154200	34.48	11
GU05573230	33.18	1	GU05716730	33.37	9	GU12211700	34.52	15
GU0557323000BMA	33.18	1	GU05717030	33.37	19	GU12911801	36.56	10
GU05573230F2B	33.18	1	GU05717430	33.37	18	GU12912000	36.56	8
GU05573230NDA	33.18	1	GU05718330	33.37	13	GU12913600	36.56	17
GU05573230Y01B	33.18	1	GU05718331	33.37	17	GU13037200	34.42	42
GU05573330	33.18	2	GU05729230	33.37	3	GU13084100	34.47	1
GU0557333000BMA	33.18	2	GU05730730	34.54	1	GU13148300	34.45	4
GU05573330F2B	33.18	2	GU05733330	34.54	4	GU14011900	34.41	10
GU05573330NDA	33.18	2	GU05740530	33.35	1	GU14018400	34.42	24
GU05573330Y01B	33.18	2	GU05740531	33.35	1	GU14030201	34.42	25
GU05573830	33.16	13	GU05740930	33.36	1	GU14030401	34.42	26
GU05573831	33.16	14	GU05743730	33.35	14	GU14037300	34.42	43
GU05576230	33.14	2	GU05747830	33.38	8	GU14072001	34.44	12
GU0557623000BM	33.14	2	GU05747930	33.38	11	GU14085900	34.47	7
GU05576231	33.14	2	GU05751630	33.36	8	GU14086000	34.47	8
GU05576330	33.14	4	GU05751730	33.36	11	GU14217901	34.43	11
GU0557633000BM	33.14	4	GU05764030	33.19	6	GU14234600	34.44	4
GU05576331	33.14	4	GU05764330	33.19	10	GU14433400	34.44	10
GU05576631	33.14	1	GU05764430	33.19	12	GU14609650	33.02	15
GU05576731	33.14	6	GU05764430	33.19	12	GU14609650	33.37	28
GU05578630	33.35	6	GU05764530	33.19	14	GU14609650	33.38	26
GU05578631	33.35	8	GU05766530	33.19	2	GU14615901	33.27	6
GU05600230	33.20	10	GU05767830	33.19	26	GU14615901	34.41	5
GU05600630	33.20	9	GU05780430	33.19	11	GU14616150	33.29	13
GU05600730	33.20	1	GU05780530	33.17	3	GU14616150	33.31	9
GU05600930	33.20	3	GU05782530	33.19	18	GU14717600	33.37	15
GU05606530	33.22	7	GU05782530	33.39	3	GU14912603	36.56	21
GU05606630	33.22	12	GU05900130	33.40	11	GU14927100	36.56	9
GU05611430	33.29	7	GU05901930	36.56	4	GU14927300	36.56	12
GU05613335	33.29	15	GU05902530	36.56	13	GU17034050	34.42	28
GU05613335	33.29	15	GU05902730	36.57	8	GU17045860	34.44	2
GU05613335	33.29	6	GU05902731	36.57	5	GU17661052	33.32	8
GU05614130	33.29	8	GU05902732	36.57	3	GU17947560	36.56	15
GU05615230	33.29	2	GU05902733	36.57	4	GU18144350	34.46	13
GU05632730	33.31	3	GU05902734	36.57	7	GU18144350	34.48	7
GU05635730	33.31	6	GU05902735	36.57	6	GU19002020	34.48	14
GU05638130	34.11	9	GU05902736	36.57	1	GU19149800	34.45	9
GU05652230	33.30	2	GU05909930	33.40	6	GU19207220	34.48	10
GU05652330	33.30	1	GU05911730	36.56	2	GU19927100	36.56	16
GU05653030	33.33	1	GU05912530	36.56	3	GU19929600	36.56	14
GU05654630	33.33	3	GU05917530	33.40	4	GU20164010	34.46	6
GU05657530	33.33	9	GU05926030	33.40	8	GU25656100	33.21	8
GU05658431	33.06	13	GU05927230	36.56	6	GU25656100	33.33	6
GU05658830	33.21	6	GU05928030	36.56	5	GU25656100	33.34	3
GU05659030	33.33	5	GU05944530	33.40	10	GU25656102	34.45	11
GU05659130	33.33	4	GU05944930	33.40	12	GU28576591	33.17	12
GU05659230	33.30	4	GU05945030	33.40	9	GU28742562	33.38	10
GU05661130	33.21	4	GU05948630	36.56	1	GU29722760	33.37	22
GU05663530	33.32	7	GU06211100	34.52	8	GU29729461	33.37	25
GU05666030	33.32	9	GU06215600	34.50	2	GU30003800	34.46	2
GU05666930	33.32	1	GU06917300	33.40	3	GU30027931	33.26	15
GU05677030	33.32	18	GU06917400	33.40	2	GU30058310	34.44	17
GU05680530	33.34	5	GU10032700	34.42	32	GU30059211	34.44	18
GU05680830	33.34	4	GU10034100	34.42	29	GU30061241	34.43	7
GU05680930	33.34	7	GU10907200	36.56	11	GU30082900	34.47	2
GU05681030	33.34	1	GU12003900	34.41	2	GU30103730	33.13	10



Code	Drawing Nr.	Pos.	Code	Drawing Nr.	Pos.	Code	Drawing Nr.	Pos.
GU30147700	34.45	7	GU90706203	34.42	16	GU95008208	33.13	4
GU30150900	34.46	9	GU90706203	34.52	2	GU95008208	34.54	3
GU30153000	34.46	1	GU90706347	34.41	39	GU95008210	33.37	27
GU30158900	34.46	12	GU90706461	34.55	7	GU95008213	33.05	8
GU30217900	33.01	5	GU90718120	34.10	3	GU95008308	33.15	11
GU30217900	33.02	16	GU90718370	33.27	3	GU95008310	33.32	26
GU30609600	33.37	28	GU91111511	34.42	27	GU95008313	33.01	10
GU30609600	33.38	26	GU91120606	34.41	46	GU95008313	33.02	13
GU30611460	33.31	7	GU91120607	34.41	38	GU95020105	33.02	5
GU30714201	34.53	9	GU91120622	33.23	14	GU95021104	33.21	11
GU30717061	33.37	16	GU91120924	33.18	10	GU95028022	34.52	6
GU30729330	33.26	14	GU91180823	34.53	2	GU95100116	34.55	12
GU30906510	36.56	19	GU91181215	33.01	6	GU95100244	33.35	16
GU30912810	36.56	18	GU91551010	33.23	8	GU95100837	34.44	13
GU30944300	33.40	5	GU91600365	34.44	15	GU95120065	34.42	35
GU30970200	33.40	13	GU92201025	34.49	6	GU95120065	34.44	7
GU31003766	34.10	9	GU92201117	34.49	5	GU95129131	33.38	24
GU31003766	34.41	32	GU92201226	34.51	13	GU95129180	34.42	40
GU31003766	34.48	13	GU92201226	34.52	3	GU95129340	34.52	11
GU31159050	34.46	14	GU92201822	34.50	11	GU95510620	34.10	4
GU31576183	34.55	18	GU92201822	34.51	2	GU95512081	34.41	9
GU31768780	34.45	14	GU92204230	34.11	5	GU95960609	33.24	6
GU32023910	34.42	44	GU92208518	34.11	4	GU95980319	34.48	6
GU32116810	34.42	18	GU92232028	34.52	16	GU95990037	34.45	12
GU32441210	33.03	7	GU92249224	33.08	7	GU96508040	34.42	19
GU32442310	33.03	11	GU92252029	34.50	3	GU96508066	34.41	3
GU32442710	33.03	14	GU92252029	34.51	4	GU96508075	34.41	7
GU32443210	33.03	4	GU92602510	34.45	8	GU97202355	34.48	2
GU32443211	33.03	10	GU92602525	34.44	14	GU97202665	33.31	4
GU32727010	33.27	8	GU92603010	34.42	23	GU98082475	34.54	2
GU32944210	33.18	17	GU92605408	34.53	12	GU98084316	34.42	34
GU37037405	34.42	11	GU92606206	33.32	15	GU98084320	34.44	6
GU37037605	34.42	12	GU92606516	34.53	8	GU98084425	34.41	12
GU37045006	34.44	1	GU92609408	33.38	25	GU98230850	34.53	11
GU37065405	34.43	18	GU92630104	33.37	12	GU98231235	33.02	12
GU37067705	34.43	10	GU92630206	33.19	24	GU98250510	33.29	17
GU49609601	33.19	25	GU92630206	33.35	13	GU98257408	34.41	37
GU49609601	33.29	20	GU92630206	33.36	13	GU98350210	33.04	10
GU49609601	33.31	15	GU92650138	33.27	14	GU98350210	33.32	29
GU61270300	34.41	13	GU92660012	34.53	5	GU98350310	34.55	11
GU90118152	34.42	31	GU92660021	33.27	5	GU98350330	34.45	5
GU90271014	34.49	16	GU92660021	34.41	8	GU98370412	33.21	10
GU90271016	33.07	21	GU92750180	34.44	11	GU98370609	34.54	6
GU90271022	34.49	4	GU92787205	33.14	10	GU98370614	33.17	13
GU90271030	34.50	8	GU92787205	33.23	10	GU98370616	34.48	4
GU90271030	34.51	8	GU93180220	34.48	3	GU98370625	33.16	9
GU90271125	34.52	9	GU93304360	33.37	28	GU98612216	33.02	4
GU90271230	34.50	6	GU93304360	33.38	26	GU98612325	33.20	24
GU90271230	34.51	6	GU93304390	33.08	4	GU98620445	34.53	3
GU90273026	34.11	8	GU93305057	34.55	13	GU98620560	34.53	4
GU90274002	33.19	17	GU93305058	34.55	16	GU98680335	34.41	23
GU90274008	33.27	13	GU93305061	34.55	15	GU98680340	33.07	29
GU90351038	34.43	8	GU93306018	33.24	12	GU98680340	33.23	12
GU90353014	34.49	22	GU93450265	33.35	3	GU98680340	34.41	45
GU90353016	34.42	7	GU93601022	34.52	7	GU98680360	34.41	31
GU90401424	34.48	12	GU94321077	34.46	10	GU98680370	33.20	8
GU90401532	34.44	19	GU94322215	34.42	30	GU98680440	33.04	5
GU90403549	34.52	4	GU95005304	33.14	11	GU98680445	33.27	21
GU90404558	34.11	3	GU95005304	33.23	9	GU98680450	34.10	11
GU90405367	34.41	41	GU95005306	33.23	13	GU98682125	33.37	10
GU90408511	34.10	10	GU95005312	33.27	15	GU98682212	33.37	23
GU90412237	34.41	19	GU95005325	33.29	10	GU98682215	33.18	5
GU90412541	34.51	14	GU95008204	33.37	11	GU98682316	33.05	4
GU90706141	33.37	21	GU95008205	33.37	24	GU98682316	33.32	21
GU90706151	34.46	15	GU95008206	34.41	48	GU98682316	34.41	22
GU90706170	34.47	11	GU95008206	34.46	11	GU98682316	34.46	16
GU90706178	34.41	35	GU95008206	34.55	10	GU98682320	33.05	6

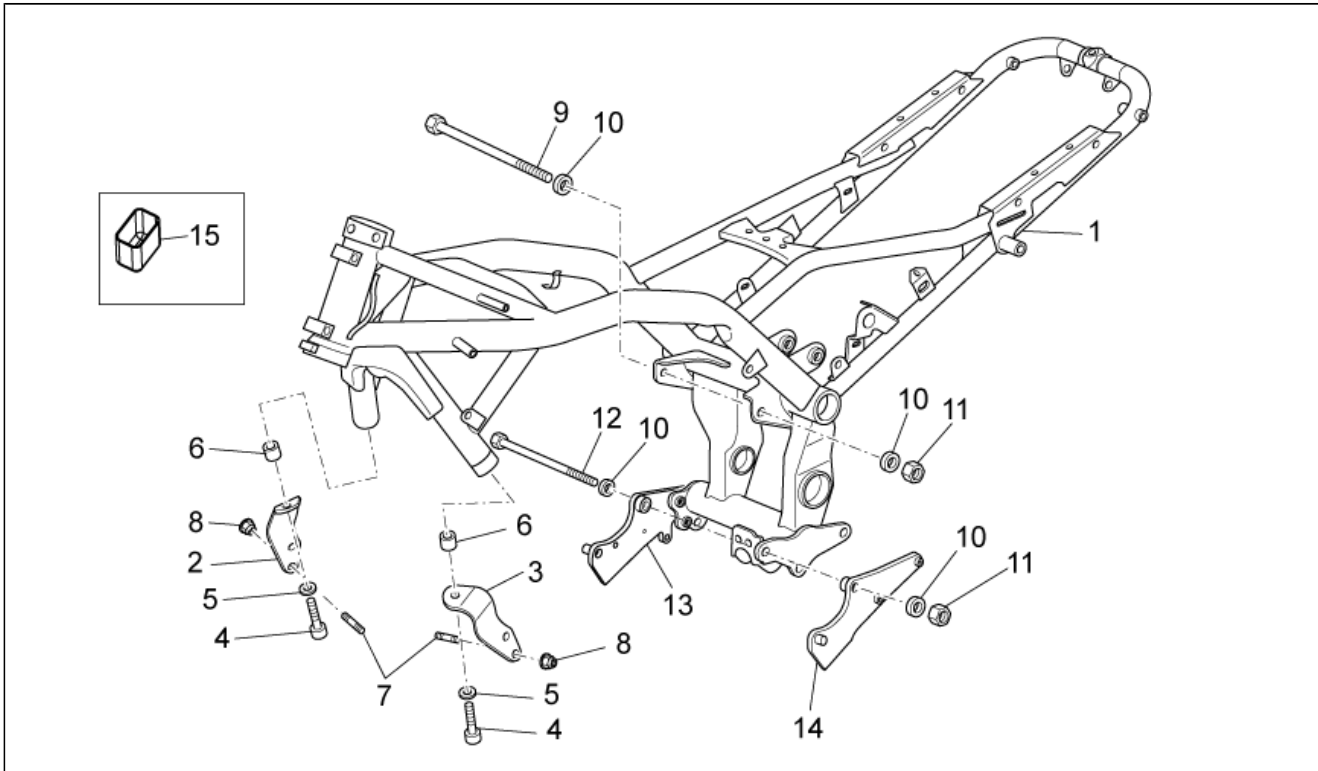


BREVA
GU089 - Brevia 1200 1200 2007

Chassis prefix: ZGULPG
Engine prefix:

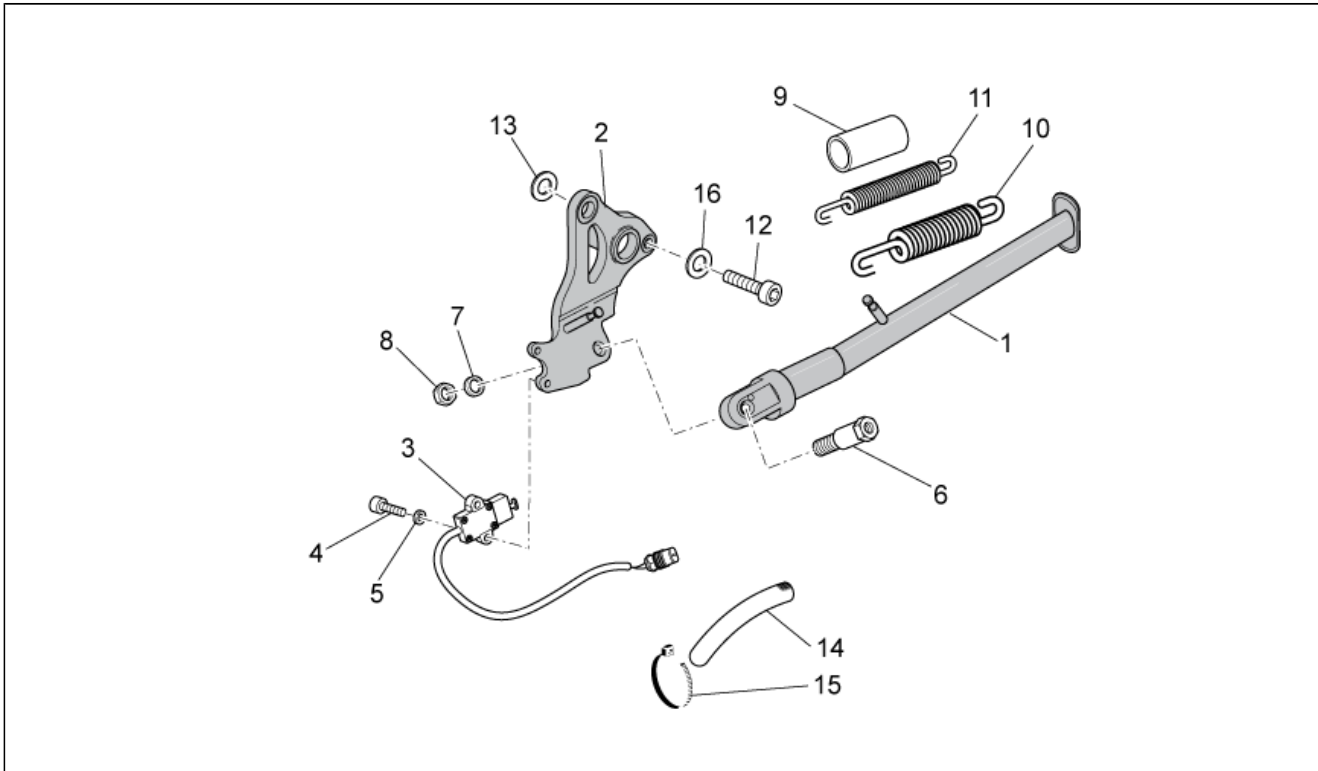
Code	Drawing Nr.	Pos.
GU98682320	33.05	9
GU98682320	34.41	20
GU98682325	33.08	9
GU98682325	34.55	9
GU98682330	34.41	17
GU98682414	33.13	3
GU98682416	33.19	7
GU98682425	33.06	12
GU98682425	33.18	12
GU98682430	33.06	11
GU98682430	33.19	19
GU98682435	33.35	7
GU98682535	33.07	11
GU98682650	33.01	4
GU98692216	33.13	9
GU98692313	33.19	9
GU98692318	33.35	5
GU98692318	33.36	12
GU98692425	33.04	4
GU98692425	33.20	15
GU98692425	33.20	2
GU98692430	33.04	2
GU98692430	33.20	4
GU99210406	34.10	14

Assembly	FRAME
Code	33.01
Description	Frame
Revision	1



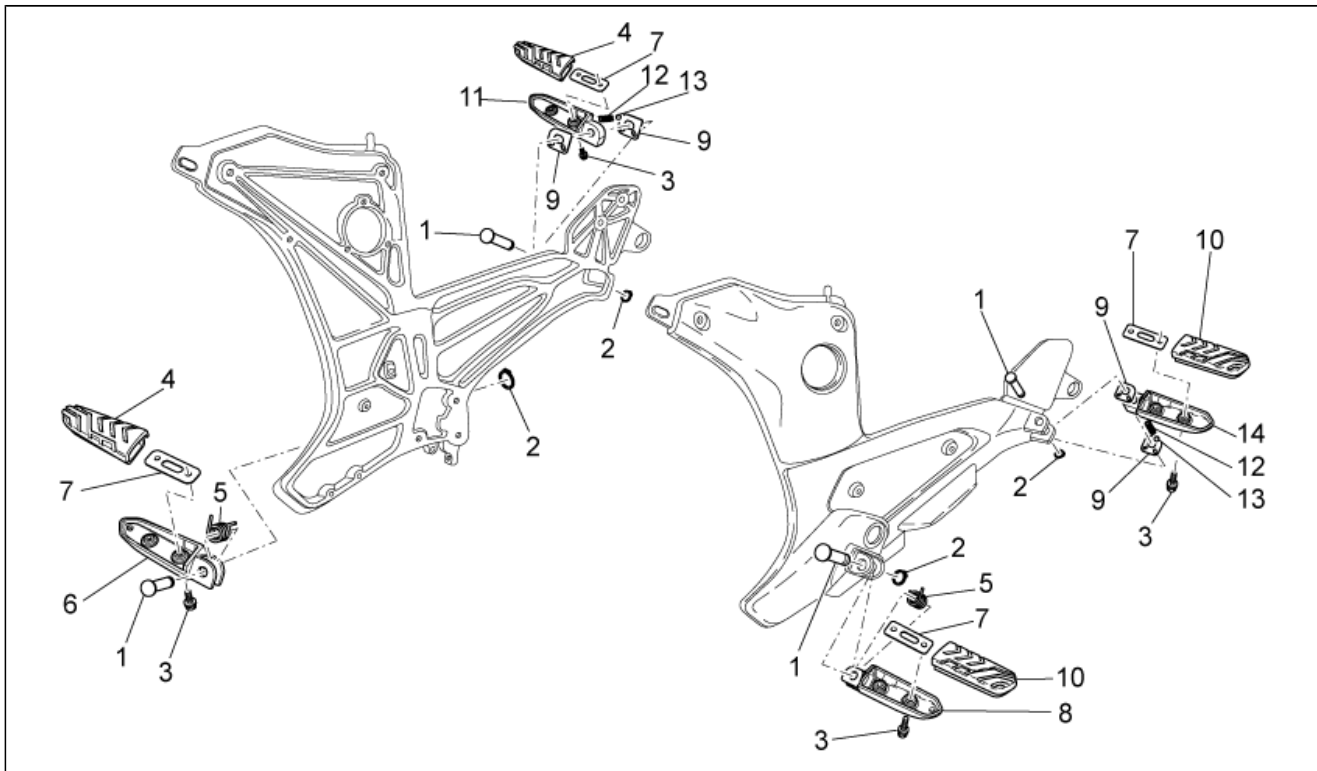
Pos.	Code	Description	Q.ty	Variants
1	977700	Frame	1	
2	GU05421430	RH plate	1	
3	GU05421530	LH plate	1	
4	GU98682650	Hex socket screw M12x50	2	
5	GU30217900	Washer 13x18x1,7	2	
6	GU91181215	Spacer 12x35x14	2	
7	977809	Stud bolt M10x38	4	
8	AP8152301	Self-locking nut M10*	4	
9	AP8221307	Pin M12	1	
10	GU95008313	Washer 13x24x2,5	4	
11	AP8150432	Low self-locking nut M12*	2	
12	AP8221227	Pin M12x270	1	
13	977806	RH plate	1	
14	977805	LH plate	1	
15	978093	Cap	2	

Assembly	FRAME
Code	33.02
Description	Stands
Revision	1



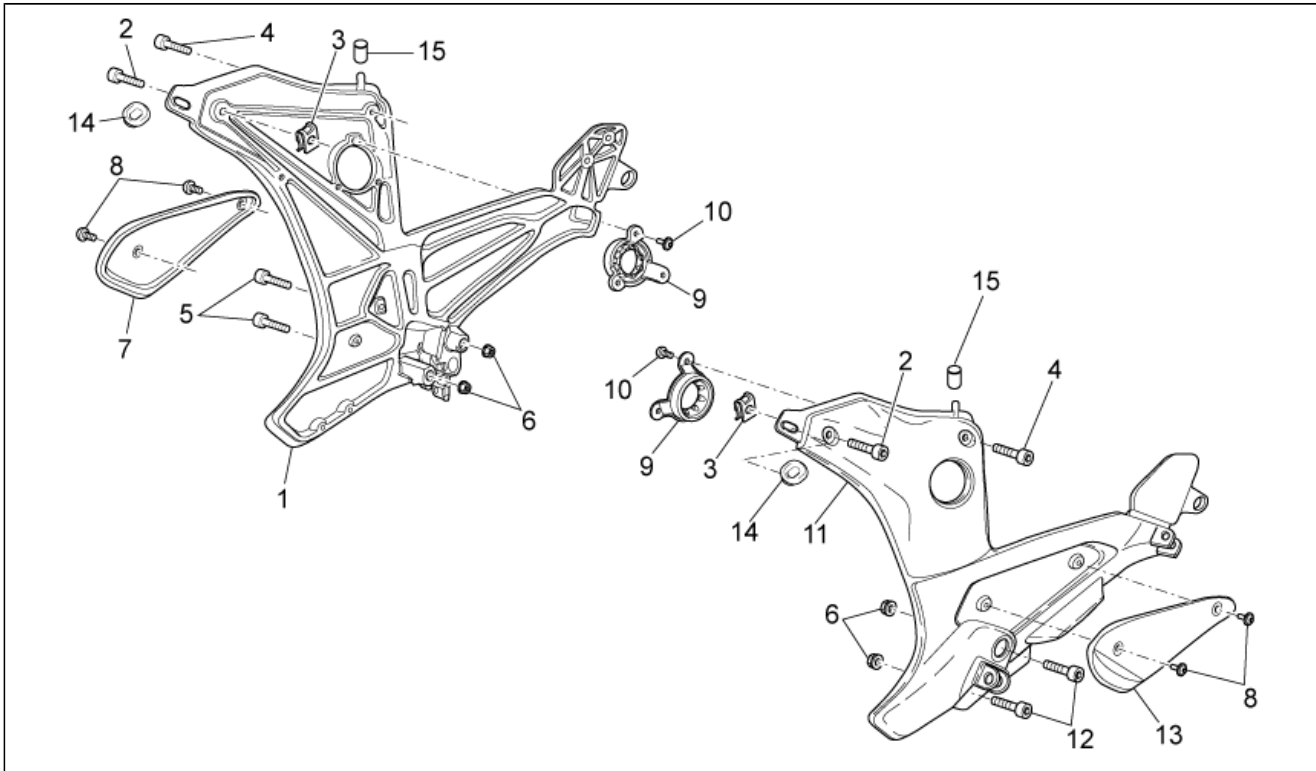
Pos.	Code	Description	Q.ty	Variants
1	977079	Lateral stand	1	
2	977080	Stand plate	1	
3	639542	Lateral stand switch	1	
4	GU98612216	Hex socket screw M5x16	2	
5	GU95020105	Washer 5,3x8,9x2,4	2	
6	AP8121994	Central stand fixing screw	1	
7	AP8150292	Curved spring washer *	1	
8	AP8152001	Low nut M10x1,25*	1	
9	AP8102524	Stand spring protection	1	
10	AP8221204	Lateral stand spring	1	
11	AP8221211	Internal lateral stand spring	1	
12	GU98231235	Hex socket screw M12x35	2	
13	GU95008313	Washer 13x24x2,5	2	
14	GU00823923140	Thermal sheath	1	
15	GU14609650	Hose clamp 3,6x20,6	2	
16	GU30217900	Washer 13x18x1,7	2	

Assembly	FRAME
Code	33.03
Description	Foot rests I
Revision	1



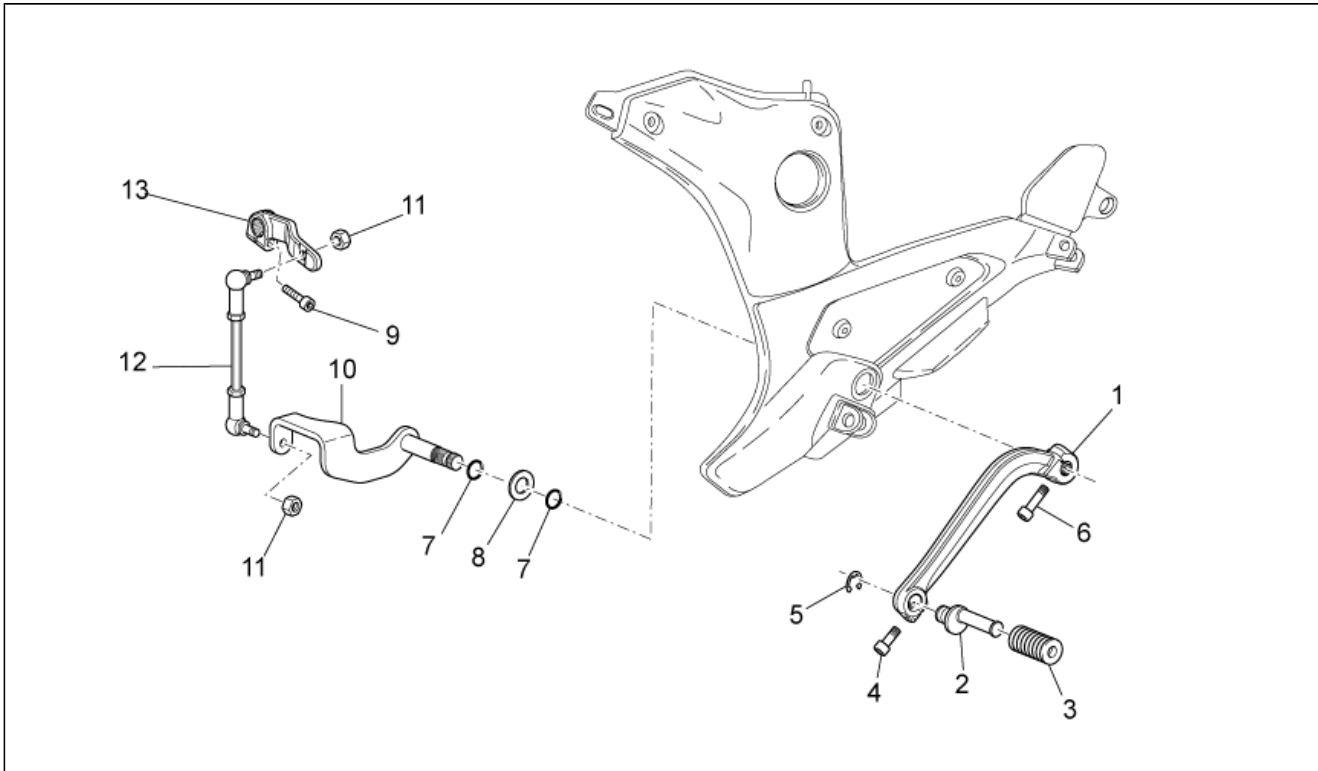
Pos.	Code	Description	Q.ty	Variants
1	AP8121567	Pin	4	
2	AP8152409	Stop ring	4	
3	AP8152277	Screw w/ flange M6x12*	8	
4	GU32443210	Support rubber part	2	
5	AP8221277	Footrest return spring	2	
6	AP8145034	RH Foot rests	1	
7	GU32441210	Plate	4	
8	AP8145035	LH Foot rests	1	
9	AP8134451	Footrest plate	4	
10	GU32443211	Support rubber part	2	
11	GU32442310	Rear footrest, RH	1	
12	AP8121133	Coil compress. spring *	2	
13	AP8101861	Ball D6,35	2	
14	GU32442710	Rear footrest, LH	1	

Assembly	FRAME
Code	33.04
Description	Foot rests II
Revision	1



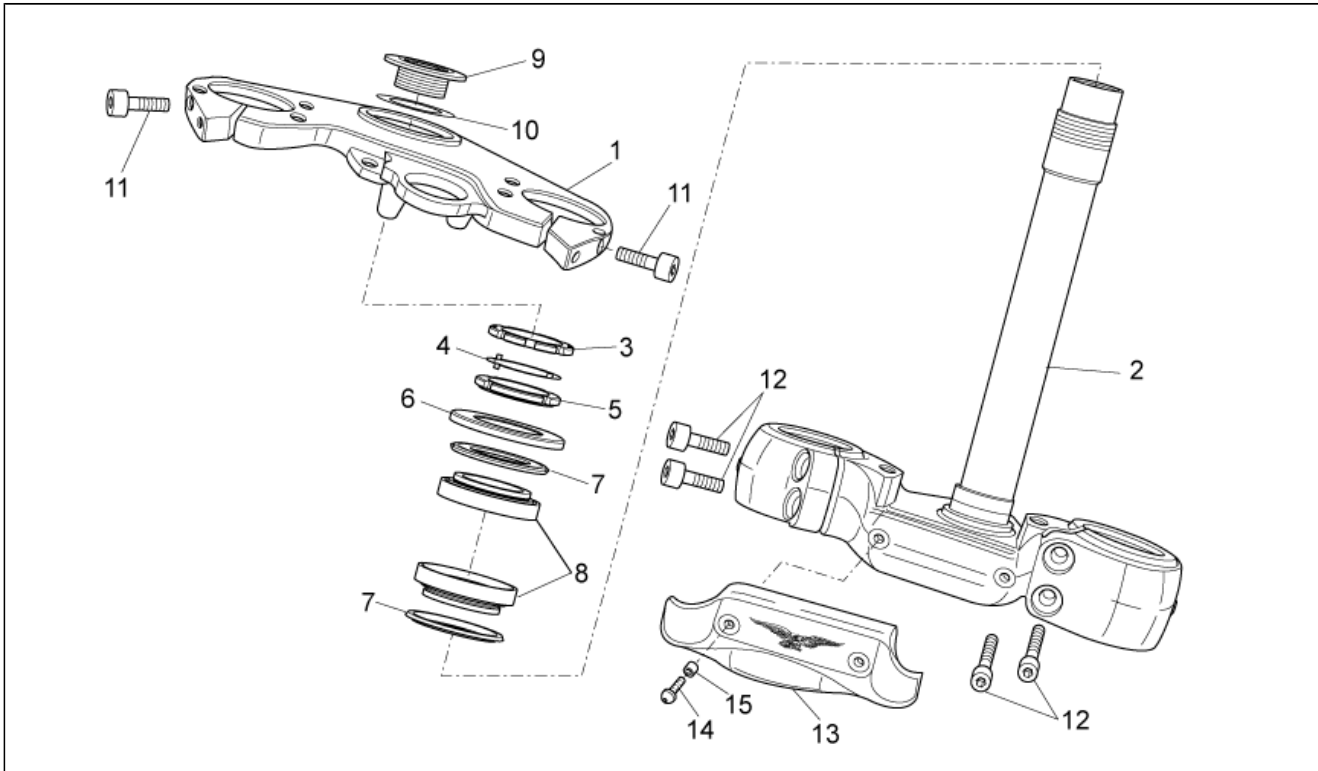
Pos.	Code	Description	Q.ty	Variants
1	GU05443530	RH plate	1	year: 2007[7] Color: Excalibur grey 2007[e/gr], Graphite Black 2007[g/bl], Race Red 2007[r/re]
1	GU05443530NA	RH plate black	1	year: 2009[9] Color: Diamond White 2009[white]
2	GU98692430	Hex socket screw M8x30	2	
3	GU01576530	Nut with clip M8x1,25	2	
4	GU98692425	Hex socket screw M8x25	2	
5	GU98680440	Hex socket screw M8x40	2	
6	AP8152300	Self-locking nut M8*	4	
7	GU05446930	RH protection	1	
8	AP8152339	Screw w/ flange M5x9	4	
9	GU05446431	Ring	2	
10	GU98350210	Hex socket screw M5X10	6	
11	GU05446030	LH plate	1	year: 2007[7] Color: Excalibur grey 2007[e/gr], Graphite Black 2007[g/bl], Race Red 2007[r/re]
11	GU05446030NA	LH plate	1	year: 2009[9] Color: Diamond White 2009[white]
12	AP8150046	Hex socket screw M8x55	2	
13	GU05447430	LH protection	1	
14	AP8220162	Rubber spacer	4	
15	AP8220526	Rubber spacer	2	

Assembly	FRAME
Code	33.05
Description	Gear lever
Revision	1



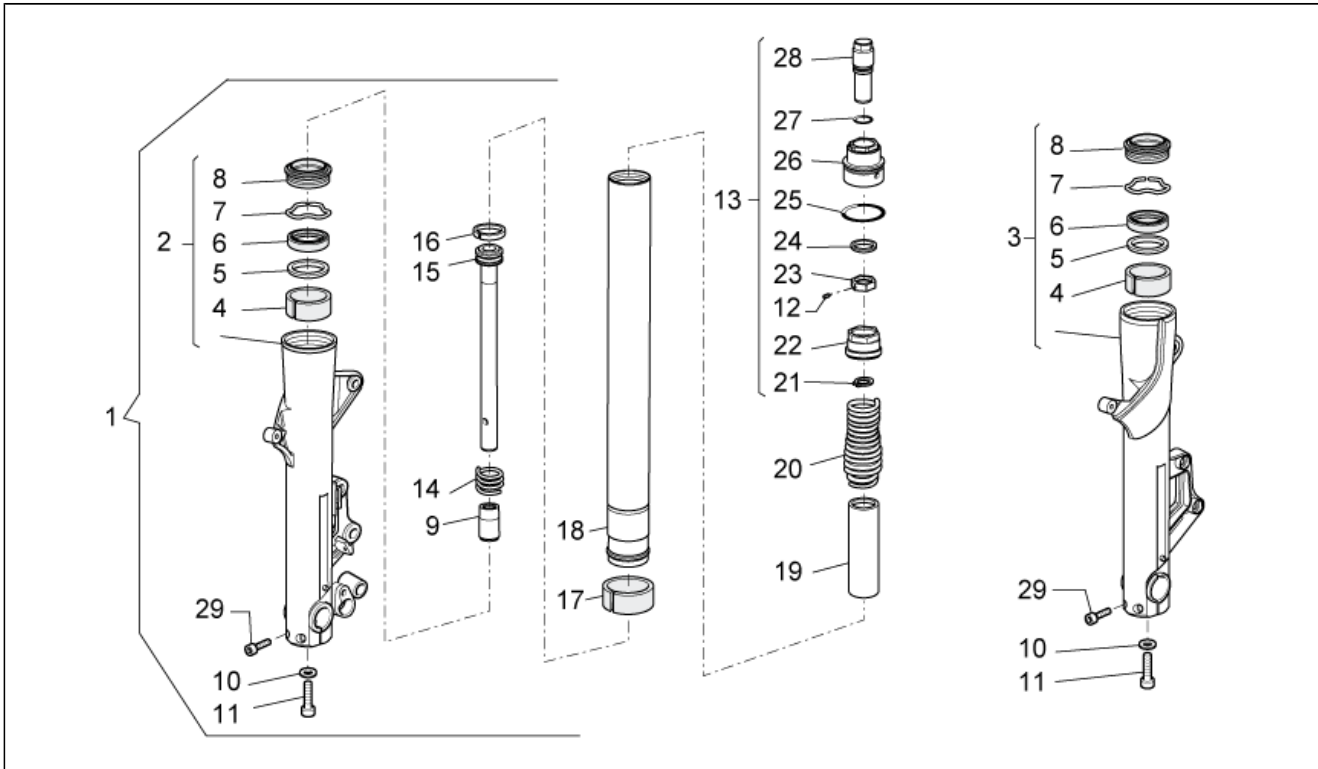
Pos.	Code	Description	Q.ty	Variants
1	GU05251130	Gear lever	1	
2	AP8121221	Brake lever pin	1	
3	AP8120912	Lever rubber	1	
4	GU98682316	Hex socket screw M6x16	1	
5	AP8150462	Circlip d9	1	
6	GU98682320	Hex socket screw M6x20	1	
7	AP8144007	O-ring 11,11x1,78	2	
8	GU95008213	Washer 12,2X20X2	1	
9	GU98682320	Hex socket screw M6x20	1	
10	GU05258230	Lever	1	
12	GU05257830	Change gear tie rod compl.	1	
13	GU05256930	Lever	1	

Assembly	FRAME
Code	33.06
Description	Steering
Revision	1



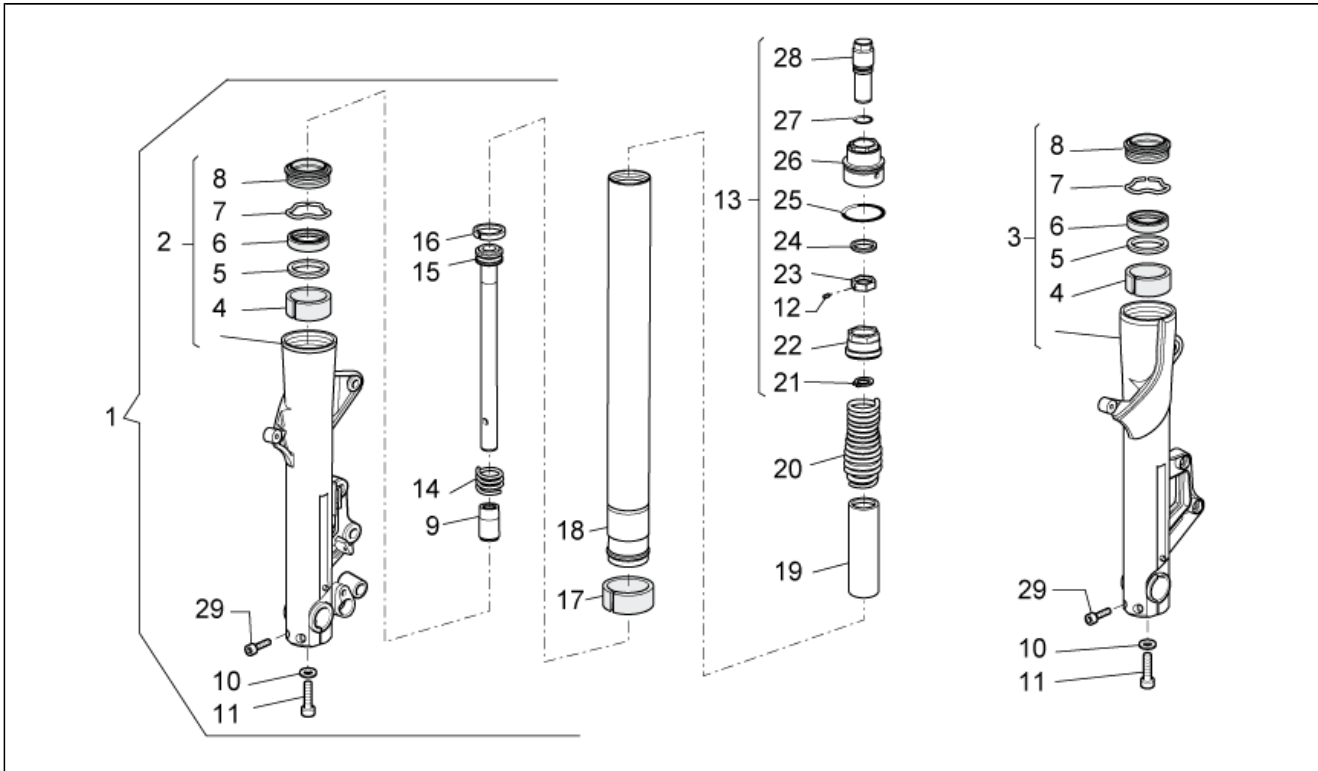
Pos.	Code	Description	Q.ty	Variants
1	GU05493130	Fork upper plate	1	
2	GU05494030	Stem base	1	
3	AP8123643	Return ring nut	1	
4	AP8121207	Steering security plate	1	
5	AP8123642	Ring nut	1	
6	AP8123644	Dust cover ring	1	
7	AP8123641	Dust cover ring	2	
8	AP8110077	Axial ball bearing	2	
9	AP8121205	Upper plate fixing bush	1	
10	AP8152384	Stem plug washer	1	
11	GU98682430	Hex socket screw M8x30	2	
12	GU98682425	Hex socket screw M8x25	4	
13	GU05658431	Brake hose fixing plate	1	
14	AP8152298	Screw w/ flange M5x16	2	
15	AP8221036	Bush 5,3x8x7,1	2	

Assembly	FRAME
Code	33.07
Description	Front fork
Revision	1



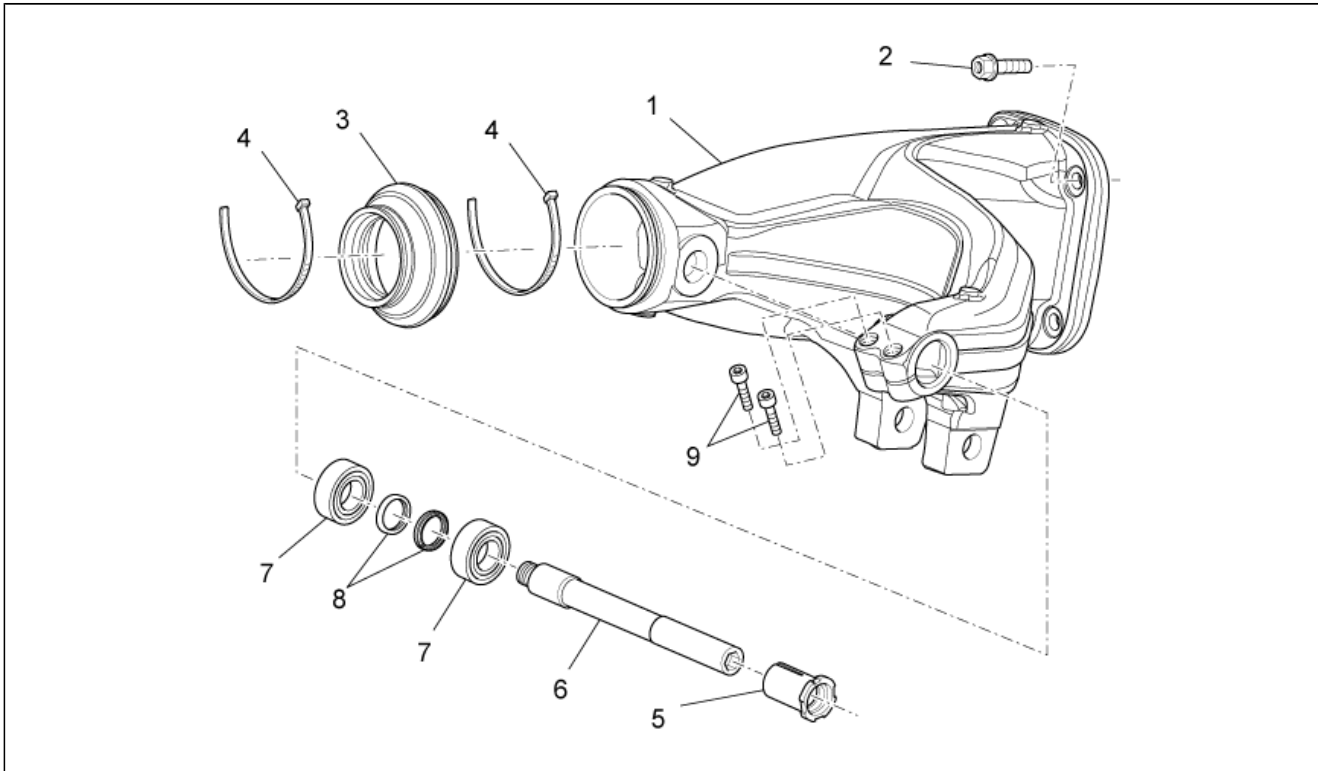
Pos.	Code	Description	Q.ty	Variants
1	GU05490230	Front fork "Marzocchi"	1	
2	GU05490630	RH sleeve	1	
3	GU05490730	LH sleeve	1	
4	GU03530528	Upper bush	2	
5	GU03530527	Cup	2	
6	GU03530526	Gasket ring	2	
7	GU03530525	Stop ring	2	
8	GU03530524	Dust cover	2	
9	GU03530551	Drift	2	
10	GU05530535	Washer 14x10,5x1,5	2	
11	GU98682535	Hex socket screw M10x35	2	
12	GU01530501	Dowel	2	
13	GU05504530	Plug cpl.	2	
14	GU03530553	Return spring	2	
15	GU05530530	Plunger, complete	2	
16	GU03530550	Ring	2	
17	GU03530510	Lower bush	2	
18	GU05525430	Sleeve	2	
19	GU05530531	Preload tube	2	
20	GU05526630	Spring	2	
21	GU90271016	Stop ring	2	
22	GU05530532	Bush	2	
23	GU05530533	Nut	2	
24	GU01530503	Fifth wheel	2	
25	GU05530536	O-ring	2	
26	0000000	Tyre 110/90"	2	
27	GU01530509	O-ring	2	
28	GU05530534	Adjusting pin	2	

Assembly	FRAME
Code	33.07
Description	Front fork
Revision	1



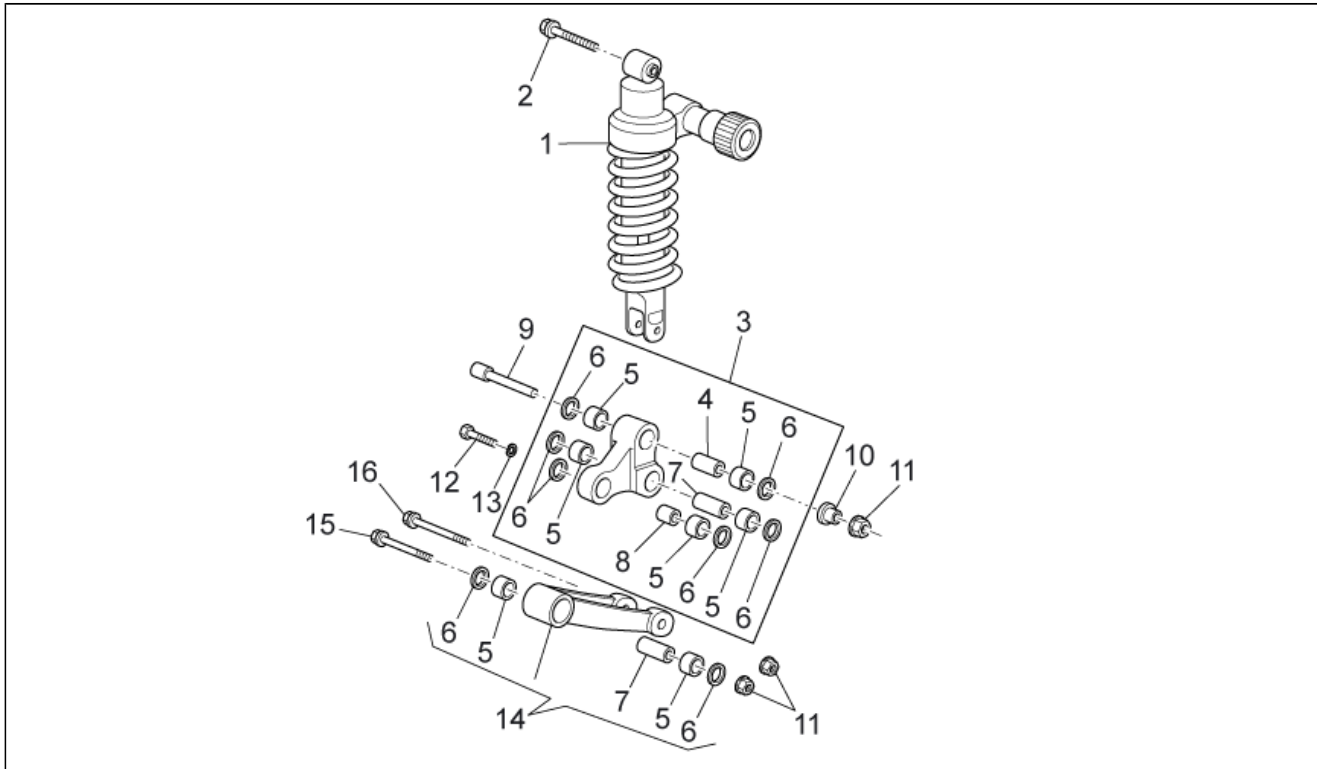
Pos.	Code	Description	Q.ty	Variants
29	GU98680340	Hex socket screw M6X40	4	

Assembly	FRAME
Code	33.08
Description	Swing arm
Revision	1



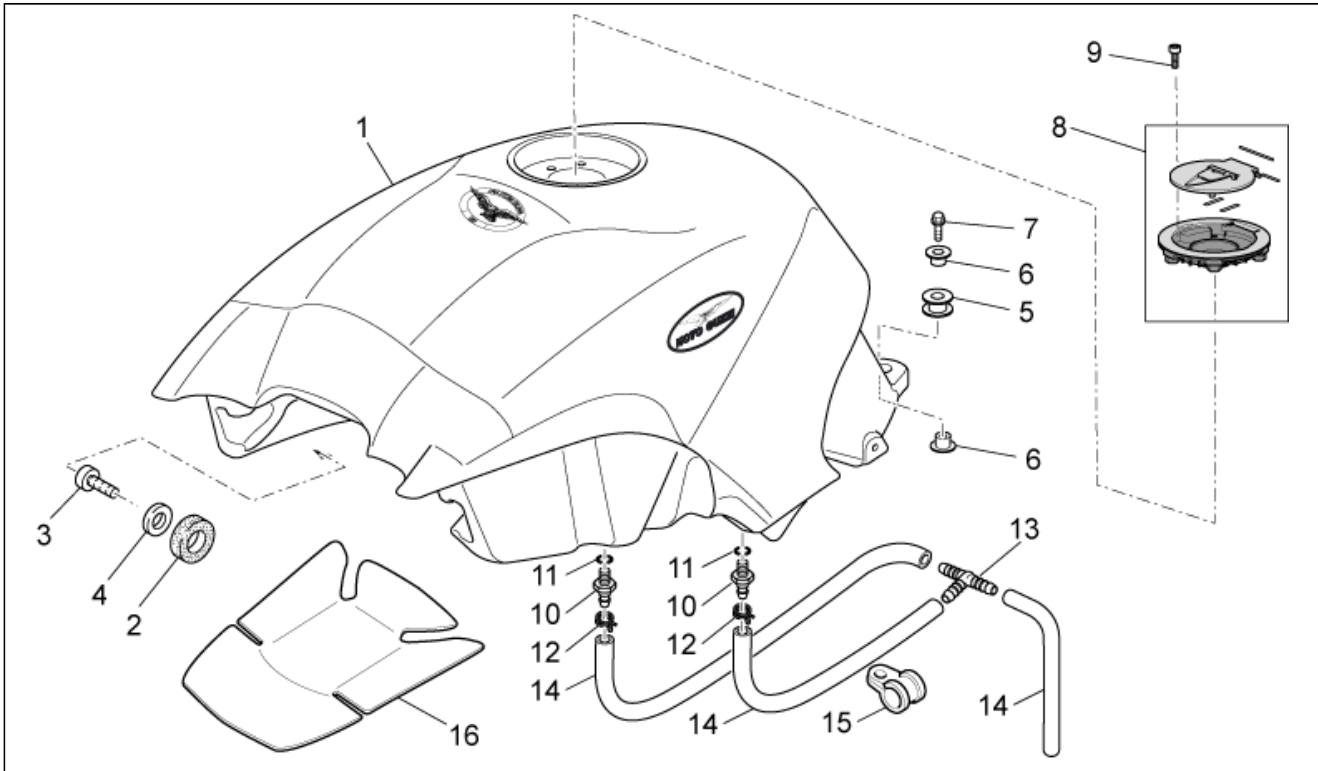
Pos.	Code	Description	Q.ty	Variants
1	977261	Swingarm	1	
2	AP8152318	Screw w/ flange M10x35	4	
3	GU05548030	Rubber bellows	1	
4	GU93304390	Hose clamp 3,6x375	2	
5	GU05547130	Bush	1	
6	GU05547030	Pin	1	
7	GU92249224	Roller bearing 25x47x17	2	
8	GU05547930	Gasket ring	2	
9	GU98682325	Hex socket screw M6x25	2	

Assembly	FRAME
Code	33.12
Description	Connecting rod - rear shock abs.
Revision	1



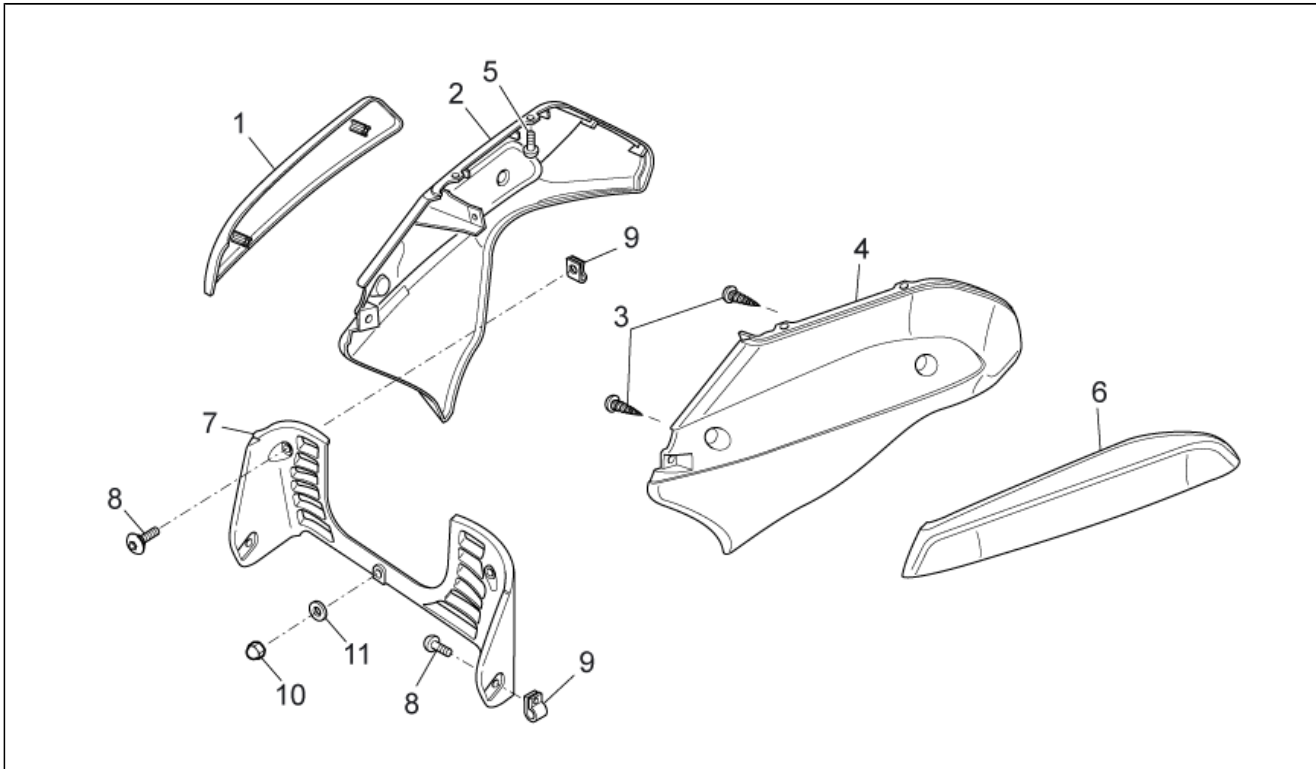
Pos.	Code	Description	Q.ty	Variants
1	GU05550230	Shock absorber	1	
2	AP8152398	Screw w/ flange M10x80	1	
3	GU05560330	Double conrod	1	
4	AP8135924	Double connecting rod pin L40	1	
5	AP8110066	Needle bearing	7	
6	AP8110068	Oil seal D18x24x3	8	
7	GU05562030	Double connecting rod pin L47	2	
8	AP8135608	Double connecting rod pin L25	1	
9	AP8152397	Hex socket screw M10x82	1	
10	AP8121155	T bush *	1	
11	AP8152301	Self-locking nut M10*	3	
12	AP8152147	Hex screw M10x47	1	
13	AP8150292	Curved spring washer *	1	
14	GU05562430	Single conrod comp.	1	
15	AP8152482	Screw w/ flange M10x85	1	
16	AP8152396	Screw w/ flange M10x95	1	

Assembly	FRAME
Code	33.13
Description	Fuel tank
Revision	1



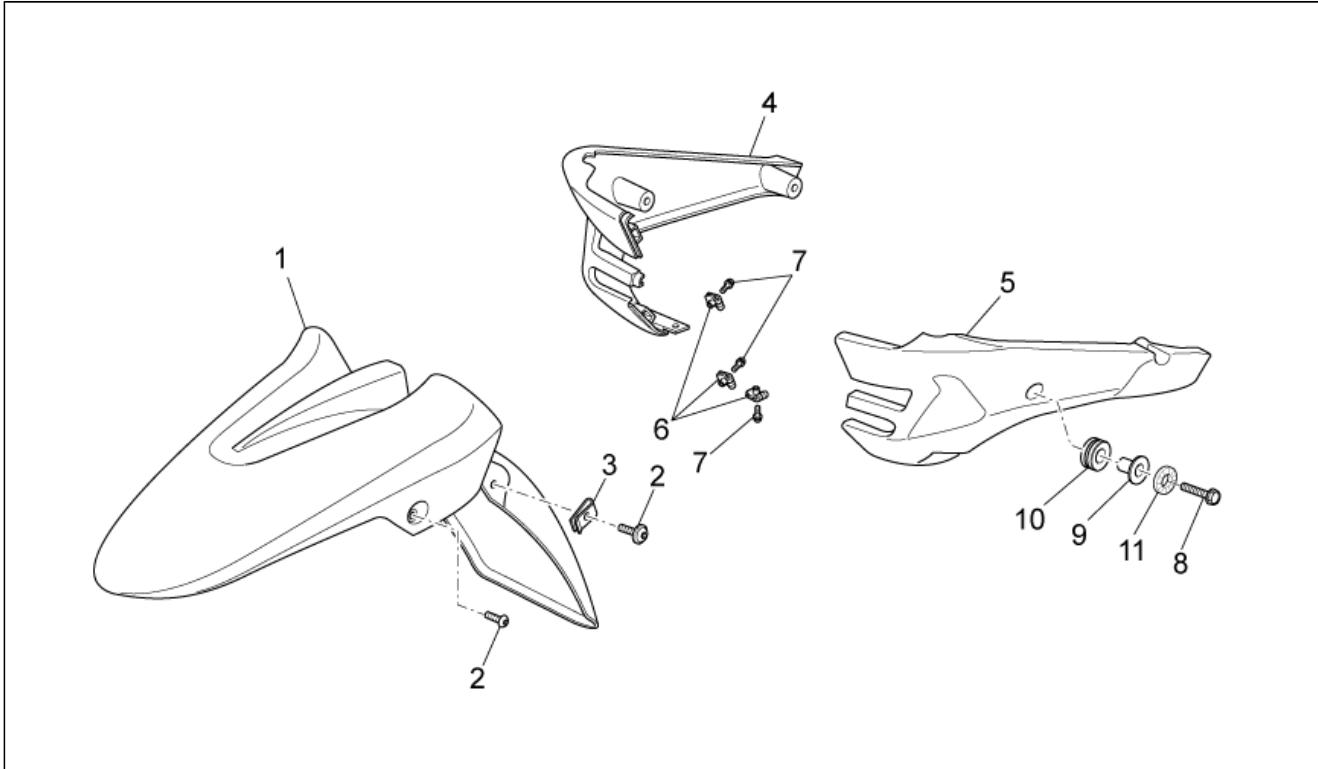
Pos.	Code	Description	Q.ty	Variants
1	GU05100230	Fuel tank blank	1	
1	GU05100230BM	Fuel tank, white	1	year: 2009[9] Color: Diamond White 2009[white]
1	GU05100230F2	Fuel tank, grey	1	year: 2007[7] Color: Excalibur grey 2007[e/gr]
1	GU05100230ND	Fuel tank, black	1	year: 2007[7] Color: Graphite Black 2007[g/bl]
1	GU05100231	Fuel tank red	1	year: 2007[7] Color: Race Red 2007[r/re]
2	AP8201124	Rubber spacer *	2	
3	GU98682414	Hex socket screw M8X14	2	
4	GU95008208	Washer 8,4X15X1,5	2	
5	GU02107100	Rubber spacer	1	
6	AP8121804	Spacer *	2	
7	AP8152291	Screw w/ flange M8x45*	1	
8	GU05103930	Tank cap	1	
9	GU98692216	Hex socket screw M5x16	4	
10	GU30103730	Union	2	
11	AP8120965	O-ring 2018	2	
12	AP8101595	Hose clamp D10,1*	2	
13	AP8104666	3-way union	1	
14	AP8120952	Fuel pipe 5,5x10	3	
15	AP8104451	Cable-guide	2	
16	GU05102930	Fuel tank central insulation	1	

Assembly	FRAME
Code	33.14
Description	Front body - Duct
Revision	1



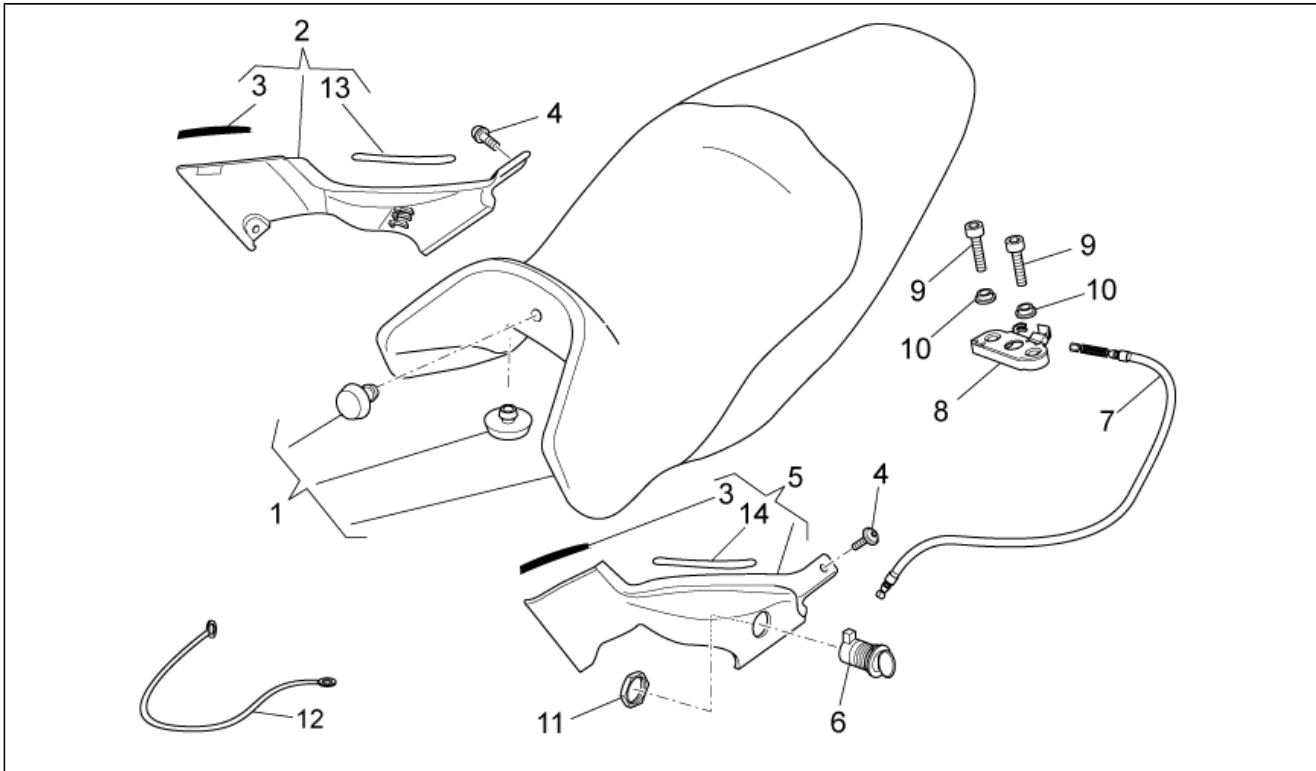
Pos.	Code	Description	Q.ty	Variants
1	883650	RH protection black	1	year: 2009[9] Color: Diamond White 2009[white]
1	GU05576631	RH protection	1	year: 2007[7] Color: Excalibur grey 2007[e/gr], Graphite Black 2007[g/bl], Race Red 2007[r/re]
2	GU05576230	RH lateral fairing, blank	1	
2	GU0557623000BM	RH lateral fairing, white	1	year: 2009[9] Color: Diamond White 2009[white]
2	GU05576231	RH lat.fairing technogrey	1	year: 2007[7] Color: Excalibur grey 2007[e/gr], Graphite Black 2007[g/bl], Race Red 2007[r/re]
3	AP8150413	Self-tap screw 3,9x14	4	
4	GU05576330	LH lateral fairing, blank	1	
4	GU0557633000BM	LH lateral fairing, white	1	year: 2009[9] Color: Diamond White 2009[white]
4	GU05576331	LH lat.fairing technogrey	1	year: 2007[7] Color: Excalibur grey 2007[e/gr], Graphite Black 2007[g/bl], Race Red 2007[r/re]
5	AP8152339	Screw w/ flange M5x9	6	
6	883651	LH protection black	1	year: 2009[9] Color: Diamond White 2009[white]
6	GU05576731	LH protection	1	year: 2007[7] Color: Excalibur grey 2007[e/gr], Graphite Black 2007[g/bl], Race Red 2007[r/re]
7	GU05476430	Water cooler grille	1	
8	AP8152302	Screw w/ flange M5x12	4	
9	AP8102375	Clip M5	4	
10	GU92787205	Cap nut M5x0,8	1	
11	GU95005304	Washer 5,2x18x1,5	1	

Assembly	FRAME
Code	33.15
Description	Front mud.-Pillar
Revision	1



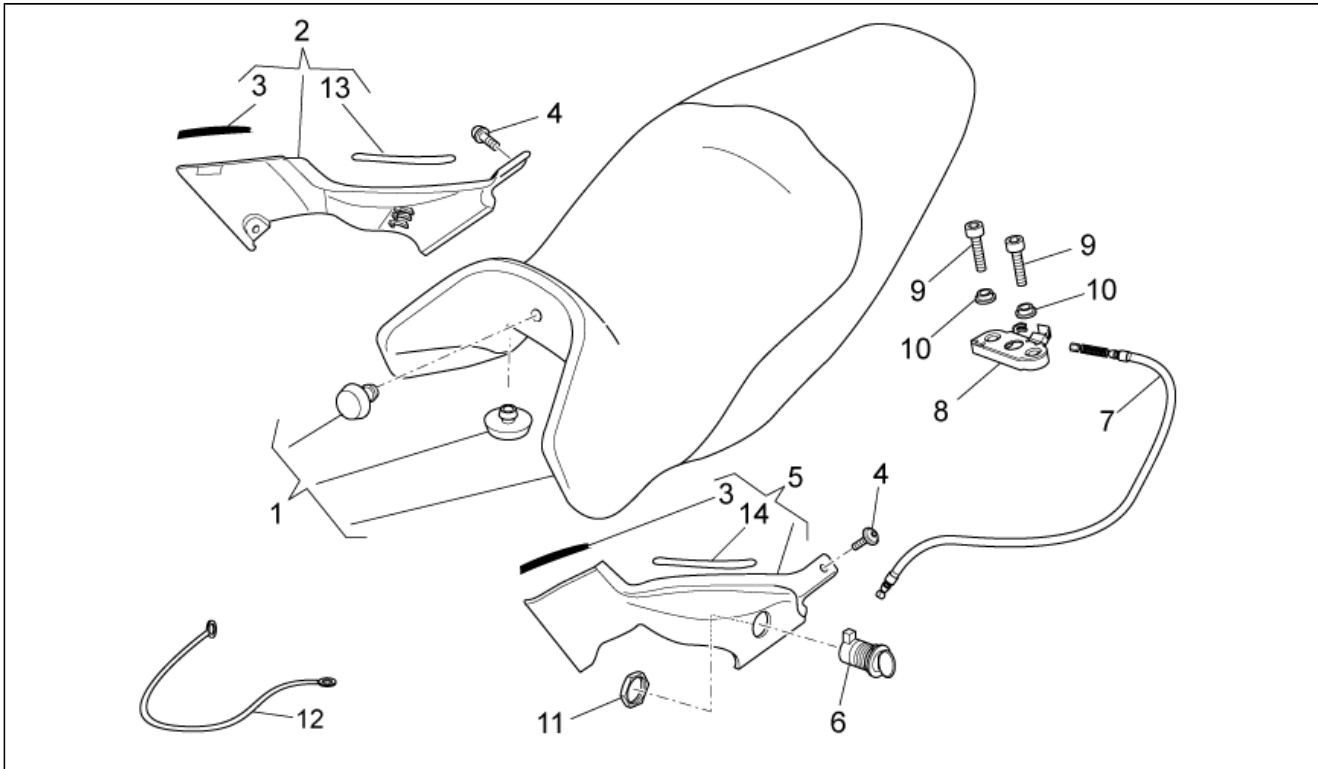
Pos.	Code	Description	Q.ty	Variants
1	GU05434330	Front mudguard blank	1	
1	GU05434330BM	Front mudguard, white	1	year: 2009[9] Color: Diamond White 2009[white]
1	GU05434330F2	Front mudguard, grey	1	year: 2007[7] Color: Excalibur grey 2007[e/gr]
1	GU05434330ND	Front mudguard, black	1	year: 2007[7] Color: Graphite Black 2007[g/bl]
1	GU05434330Y01	Front mudguard, red	1	year: 2007[7] Color: Race Red 2007[r/re]
2	AP8152302	Screw w/ flange M5x12	4	
3	AP8102375	Clip M5	2	
4	GU05570530	RH Pillar	1	
5	GU05570630	LH Pillar	1	
6	AP8102375	Clip M5	3	
7	AP8152339	Screw w/ flange M5x9	3	
8	AP8152287	Screw w/ flange M8x25*	4	
9	AP8221128	T bush 8,5x10,7x12	4	
10	AP8120594	Rubber spacer	4	
11	GU95008308	Washer	4	

Assembly	FRAME
Code	33.16
Description	Saddle-Central bod
Revision	1



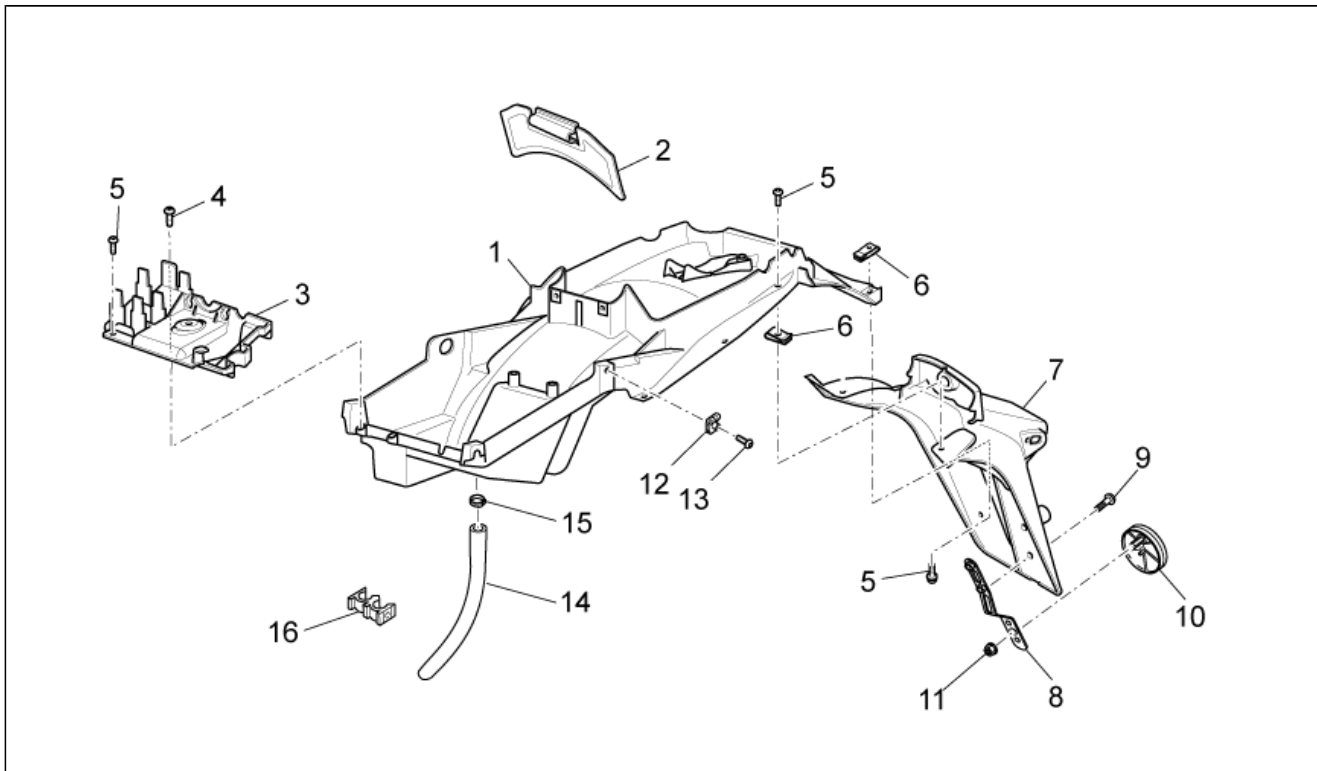
Pos.	Code	Description	Q.ty	Variants
1	883538	Saddle, black	1	year: 2009[9] Color:Diamond White 2009[white]
1	978249	Saddle, black	1	year: 2007[7] Color:Excalibur grey 2007[e/gr], Graphite Black 2007[g/bl], Race Red 2007[r/re]
2	GU05570230	RH body panel blank	1	
2	GU05570230BM	RH side panel, white	1	year: 2009[9] Color:Diamond White 2009[white]
2	GU05570230F2	RH side panel, grey	1	year: 2007[7] Color:Excalibur grey 2007[e/gr]
2	GU05570230ND	RH side panel, black	1	year: 2007[7] Color:Graphite Black 2007[g/bl]
2	GU05570231	RH side panel, red	1	year: 2007[7] Color:Race Red 2007[r/re]
3	890517	Front fairing gasket	2	
4	AP8152339	Screw w/ flange M5x9	2	
5	GU05570430	LH body panel blank	1	
5	GU05570430BM	LH side panel, white	1	year: 2009[9] Color:Diamond White 2009[white]
5	GU05570430F2	LH side panel, grey	1	year: 2007[7] Color:Excalibur grey 2007[e/gr]
5	GU05570430ND	LH side panel, black	1	year: 2007[7] Color:Graphite Black 2007[g/bl]
5	GU05570431	LH side panel, red	1	year: 2007[7] Color:Race Red 2007[r/re]
6	GU05466830	Saddle lock	1	
7	AP8102914	Saddle release cable	1	
8	AP8102913	Pass.saddle connecting plate	1	
9	GU98370625	Hex socket screw M6X25	2	
10	AP8152299	Self-locking nut M6*	2	
11	AP8102523	Lock nut	1	

Assembly	FRAME
Code	33.16
Description	Saddle-Central bod
Revision	1



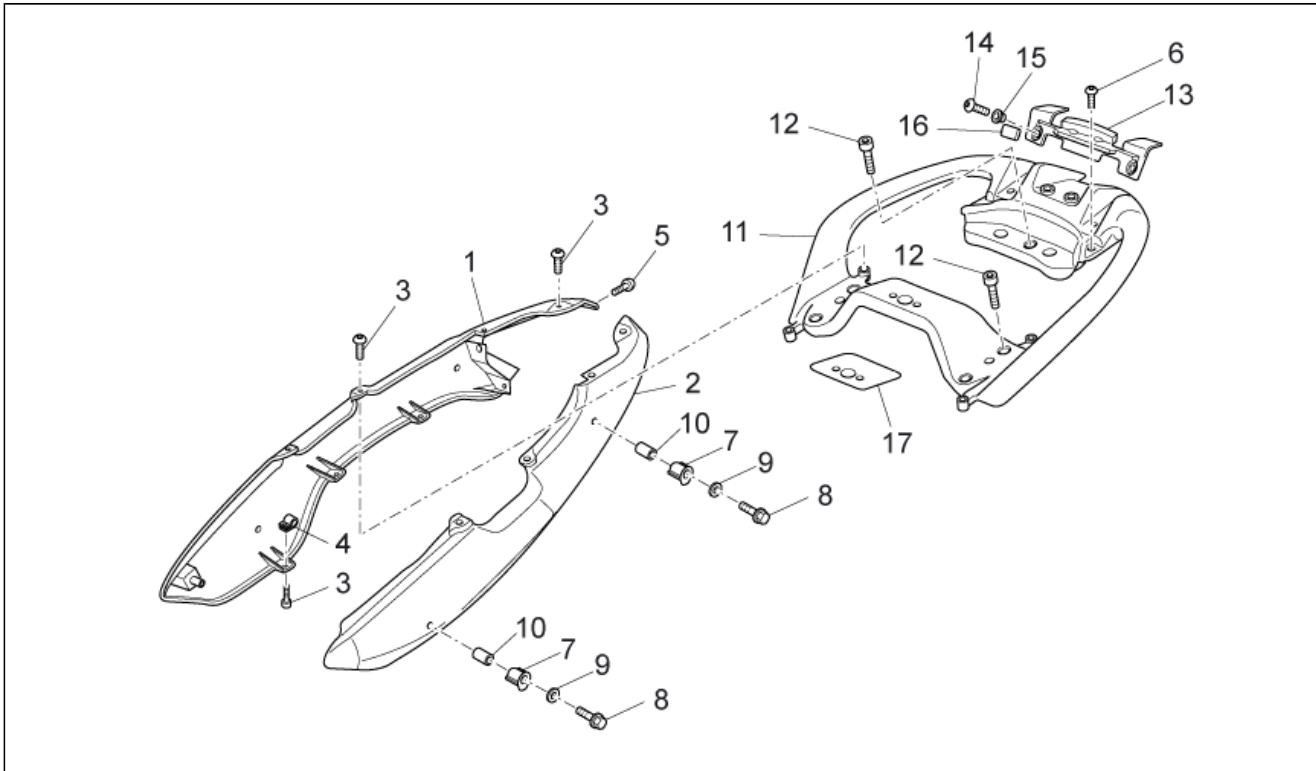
Pos.	Code	Description	Q.ty	Variants
12	AP8102502	Helmet lock cable	1	
13	GU05573830	RH side fairing decal	1	
14	GU05573831	LH side fairing decal	1	

Assembly	FRAME
Code	33.17
Description	Rear body - Mudguard
Revision	1



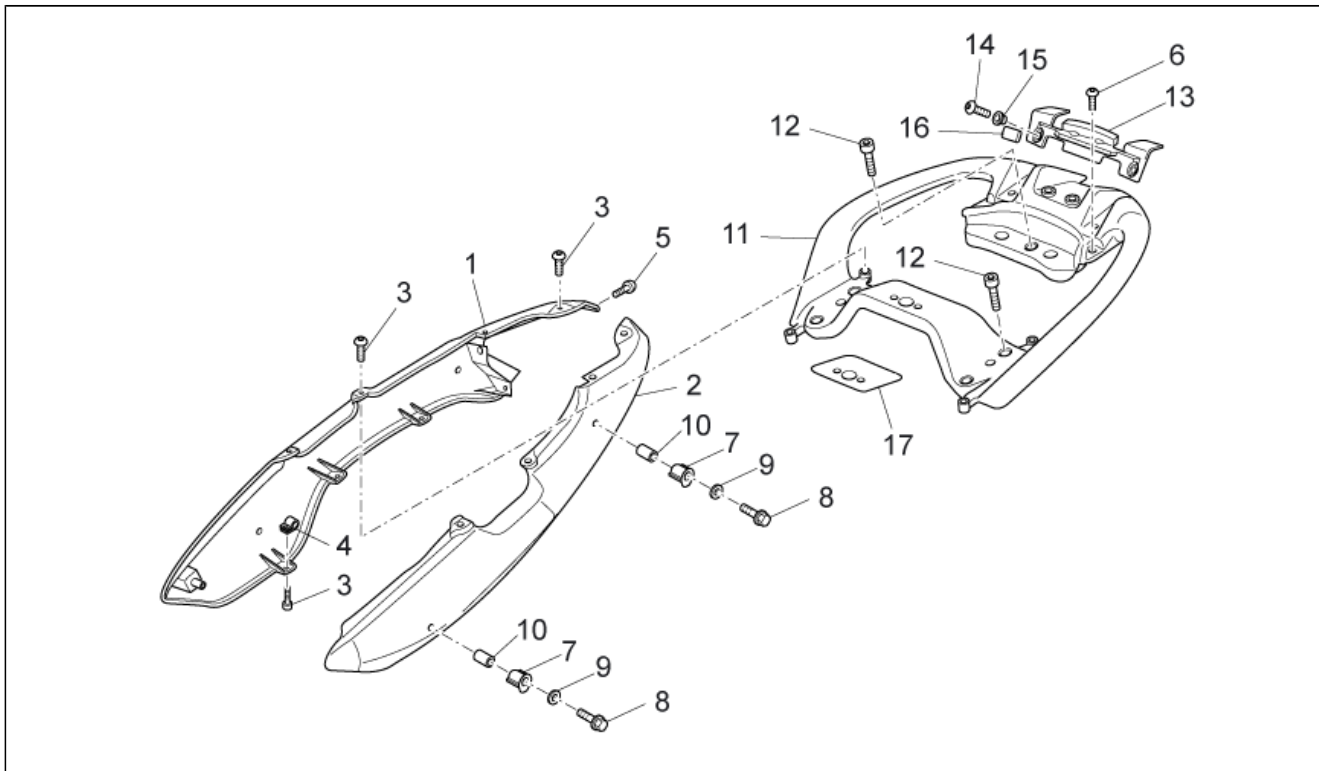
Pos.	Code	Description	Q.ty	Variants
1	883828	Splash guard	1	Technical Specifications: vehicles with battery YT20-BS[B]
1	GU05438730	Splash guard	1	Technical Specifications: vehicles with battery YTX20CH-BS[A]
2	GU05479630	Door	1	
3	GU05780530	Support	1	
4	AP8152329	Phillips screw, SWP M5X20	2	
5	AP8152339	Screw w/ flange M5x9	7	
6	AP8102375	Clip M5	4	
7	GU05438630	Number plate holder	1	
8	AP8134448	Reflector support	1	
9	AP8152267	Hex socket screw M5x12*	2	
10	AP8224164	Rear reflector, red	1	
11	AP8152306	Self-locking nut M5*	1	
12	GU28576591	Clip M6	6	
13	GU98370614	Hex socket screw M6X14	6	
14	AP8120952	Fuel pipe 5,5x10	1	
15	AP8101595	Hose clamp D10,1*	1	
16	AP8201808	Cable-guide D8	2	

Assembly	FRAME
Code	33.18
Description	Rear body - Rear fairing
Revision	1



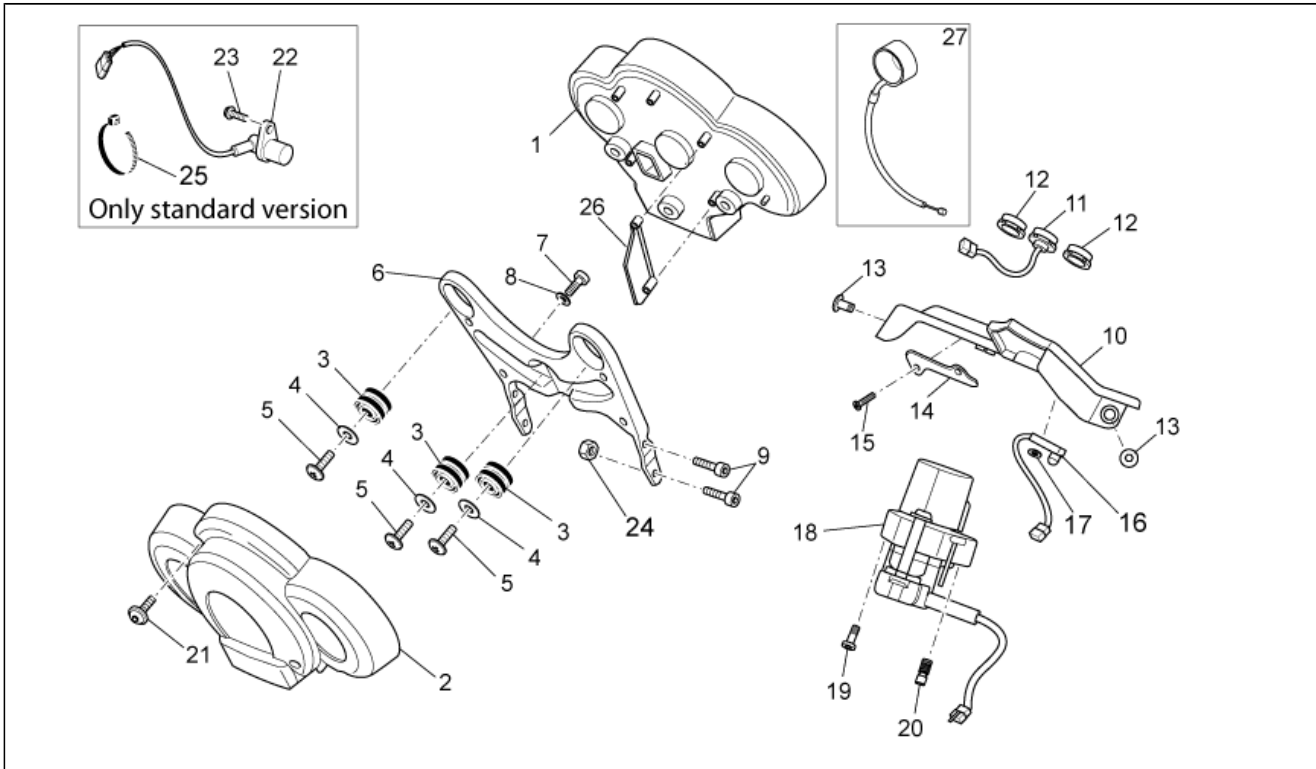
Pos.	Code	Description	Q.ty	Variants
1	GU05573230	RH rear fairing, blank	1	
1	GU0557323000BMA	RH rear fairing, white	1	year: 2009[9] Color: Diamond White 2009[white]
1	GU05573230F2B	RH rear fairing, grey	1	year: 2007[7] Color: Excalibur grey 2007[e/gr]
1	GU05573230NDA	RH rear fairing, black	1	year: 2007[7] Color: Graphite Black 2007[g/bl]
1	GU05573230Y01B	RH rear fairing, red	1	year: 2007[7] Color: Race Red 2007[r/re]
2	GU05573330	LH rear fairing, blank	1	
2	GU0557333000BMA	LH rear fairing, white	1	year: 2009[9] Color: Diamond White 2009[white]
2	GU05573330F2B	LH rear fairing, grey	1	year: 2007[7] Color: Excalibur grey 2007[e/gr]
2	GU05573330NDA	LH rear fairing, black	1	year: 2007[7] Color: Graphite Black 2007[g/bl]
2	GU05573330Y01B	RH rear fairing, red	1	year: 2007[7] Color: Race Red 2007[r/re]
3	AP8152339	Screw w/ flange M5x9	10	
4	AP8102375	Clip M5	10	
5	GU98682215	Hex socket screw M5x15	2	
6	AP8152302	Screw w/ flange M5x12	2	
7	GU05467330	Hook	4	
8	AP8152292	Screw w/ flange M8x50*	4	
9	GU03270300	Washer 8,4x15	4	
10	GU91120924	Spacer 9x18x24	4	
11	GU05464330	Handle	1	year: 2007[7] Color: Excalibur grey 2007[e/gr], Graphite Black 2007[g/bl], Race Red 2007[r/re]
11	GU05464330NA	Handle. Black	1	year: 2009[9] Color: Diamond White 2009[white]

Assembly	FRAME
Code	33.18
Description	Rear body - Rear fairing
Revision	1



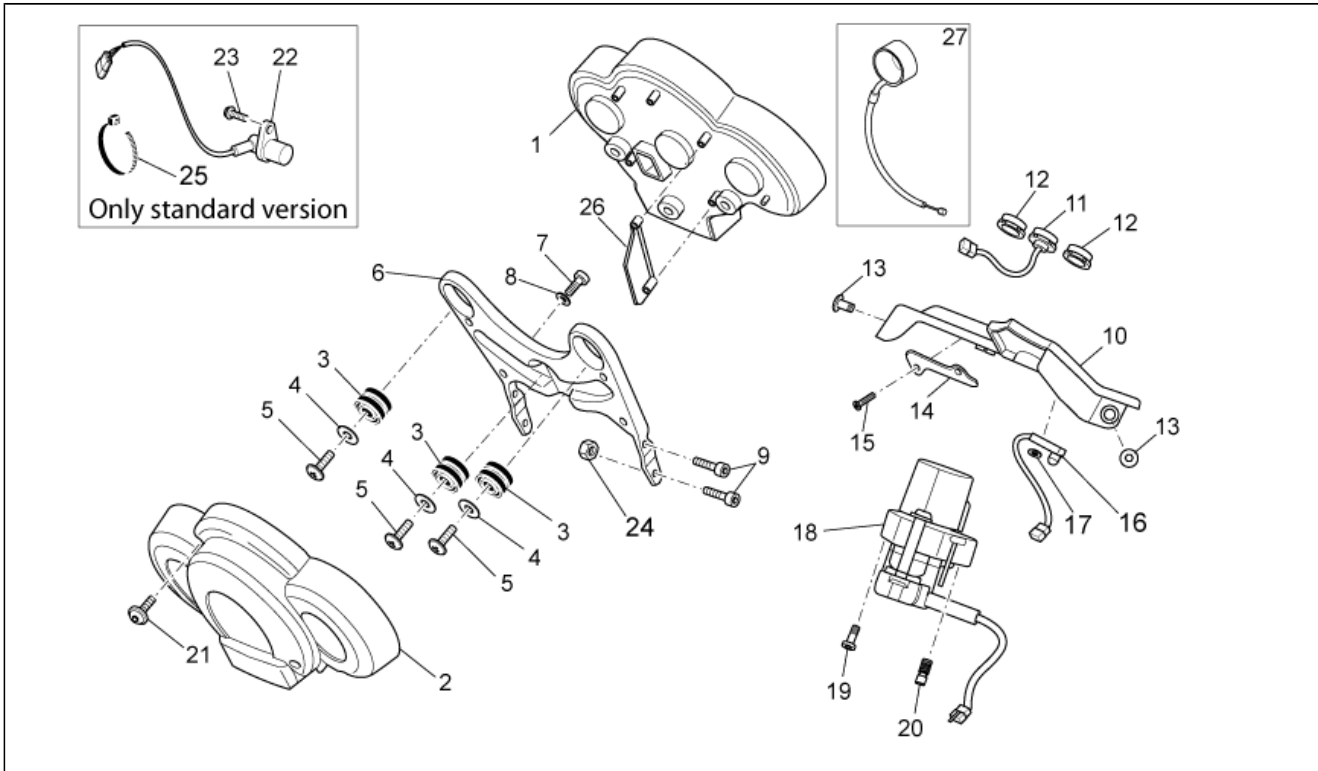
Pos.	Code	Description	Q.ty	Variants
12	GU98682425	Hex socket screw M8x25	5	
13	GU05464830	Cover	1	
14	AP8152055	Hex socket screw M8x12	2	
15	AP8121096	T bush 8,2x12x4	2	
16	AP8120455	Rubber spacer	2	
17	GU32944210	Guard decal	1	

Assembly	FRAME
Code	33.19
Description	Dashboard
Revision	1



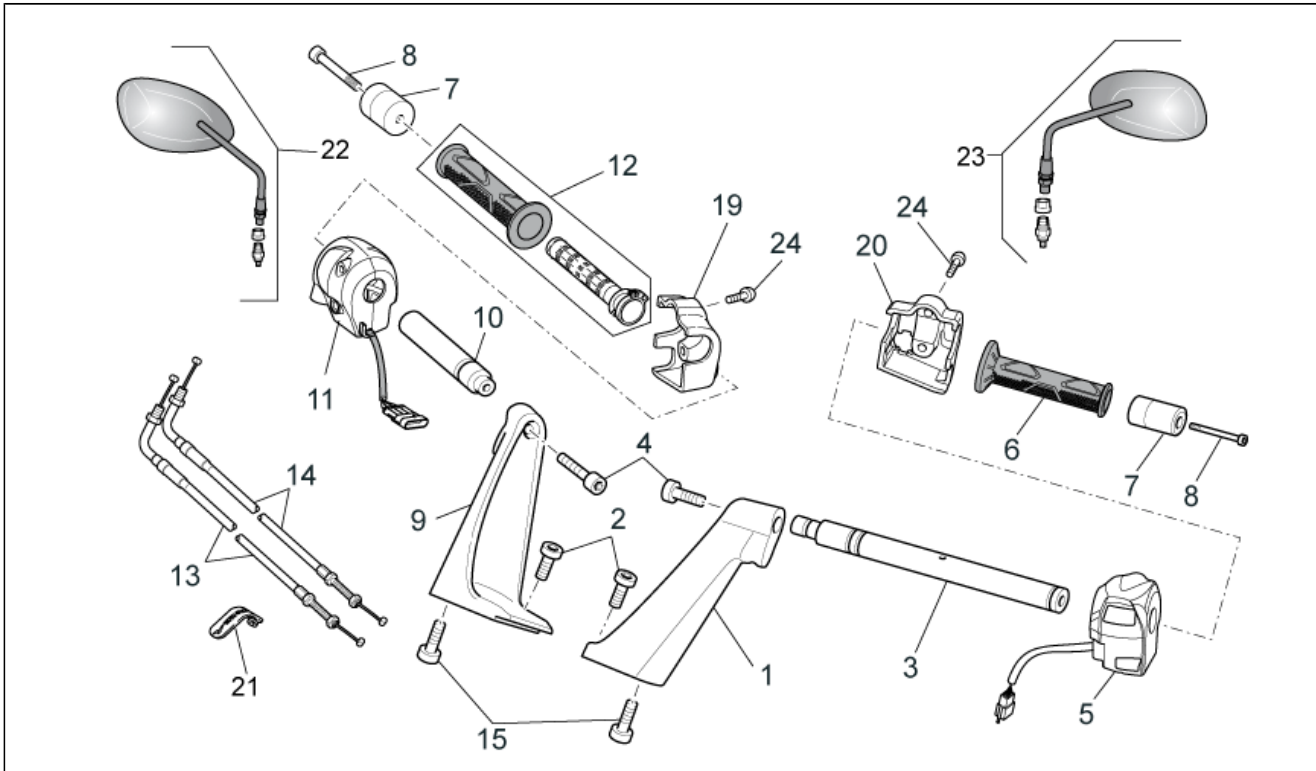
Pos.	Code	Description	Q.ty	Variants
1	883347	Dashboard complete	1	Country:Australia[AUS], Other country Europe[EU], Japan[J]
1	883348	Dashboard complete	1	Country:Great Britain[UK]
2	GU05766530	Cover	1	
3	AP8220150	Rubber spacer *	3	
4	AP8150255	Washer 5x20x1,5	3	
5	AP8150509	Self-tap screw 5x14	3	
6	GU05764030	Support plate	1	
7	GU98682416	Hex socket screw M8X16	1	
8	GU03270300	Washer 8,4x15	1	
9	GU98692313	Hex socket screw M6x12	4	
10	GU05764330	Dashboard panel	1	
11	GU05780430	Switch ABS	1	Technical Specifications:ABS version[abs]
12	GU05764430	Plug	3	Technical Specifications:Version without ABS[std]
12	GU05764430	Plug	2	Technical Specifications:ABS version[abs]
13	AP8152339	Screw w/ flange M5x9	2	
14	GU05764530	Plate	1	
15	AP8150421	Self-tap screw 2,9x12	2	
16	AP8124936	Air temp. Sensor	1	
17	GU90274002	Washer for shafts	2	
18	GU05782530	Main switch - steering lock	1	
19	GU98682430	Hex socket screw M8x30	1	
20	AP8152238	Shear rivet M8x28	1	
21	AP8152334	Screw w/ flange M3x12	4	
22	AP8124985	Speedometer sensor cpl.	1	Technical Specifications:Version without ABS[std]
23	598839	Screw w/ flange M6x16*	1	Technical Specifications:Version without ABS[std]
24	GU92630206	Nut M6x1	2	
25	GU49609601	Hose clamp 2,4x92	2	Technical Specifications:Version without ABS[std]

Assembly	FRAME
Code	33.19
Description	Dashboard
Revision	1



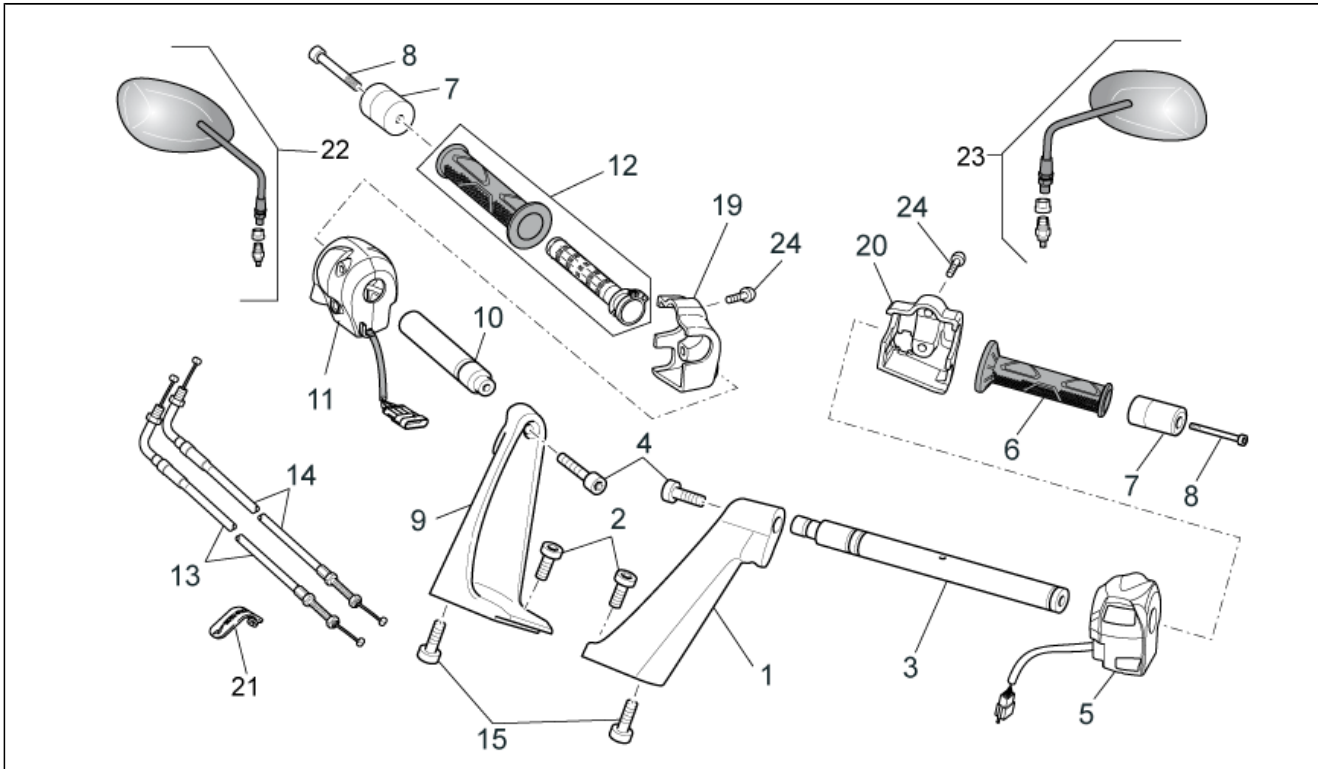
Pos.	Code	Description	Q.ty	Variants
26	GU05767830	Protection	1	
27	981087	Immobilizer antenna	1	

Assembly	FRAME
Code	33.20
Description	Handlebar - Controls
Revision	1



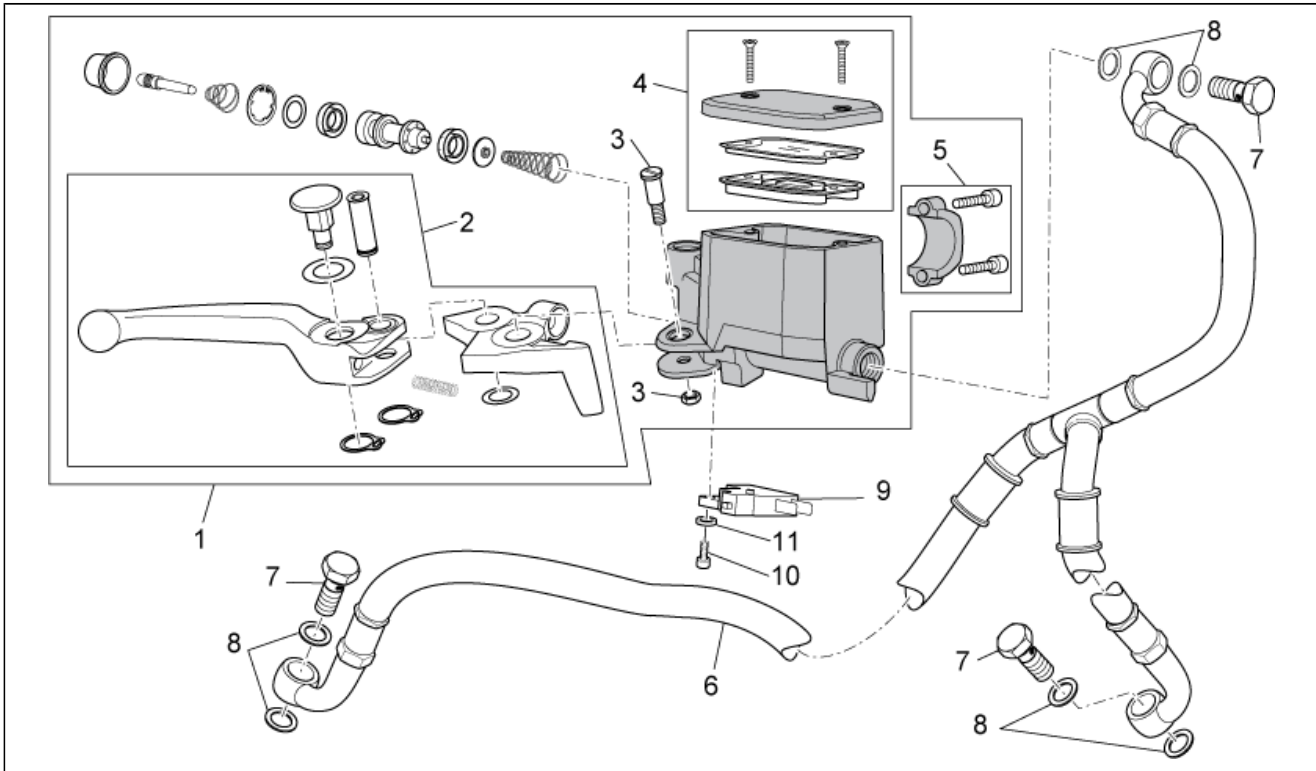
Pos.	Code	Description	Q.ty	Variants
1	883648	Left half handlebar	1	year: 2009[9] Color: Diamond White 2009[white]
1	GU05600730	Left half handlebar	1	year: 2007[7] Color: Excalibur grey 2007[e/gr], Graphite Black 2007[g/bl], Race Red 2007[r/re]
2	GU98692425	Hex socket screw M8x25	4	
3	GU05600930	LH handlebar tube	1	
4	GU98692430	Hex socket screw M8x30	2	
5	977522	LH lights selector	1	
6	AP8118579	LH hand grip	1	
7	AP8104572	Anti.v weight, black	2	
8	GU98680370	Screw M6x70	2	
9	883647	Right half handlebar	1	year: 2009[9] Color: Diamond White 2009[white]
9	GU05600630	Right half handlebar	1	year: 2007[7] Color: Excalibur grey 2007[e/gr], Graphite Black 2007[g/bl], Race Red 2007[r/re]
10	GU05600230	RH handlebar tube	1	
11	883542	RH lights selector	1	Technical Specifications: Yellow dot inside[YL]
12	GU01603480	RH hand grip	1	
13	978314	Gas trasmission delivery	1	
14	978315	Gas trasmission return	1	
15	GU98692425	Hex socket screw M8x25	2	
19	978774	RH U-bolt black	1	
20	978775	LH U-bolt black	1	
21	GU01609630	Hose clamp L46 mm	2	
21	GU03609600	Hose clamp L36 mm	4	
22	883802	RH/LH rearview mirror	1	Color: marked "FU E11 81R-001047"[B]
22	978570	RH/LH rearview mirror	1	Color: marked "FAR"[A]

Assembly	FRAME
Code	33.20
Description	Handlebar - Controls
Revision	1



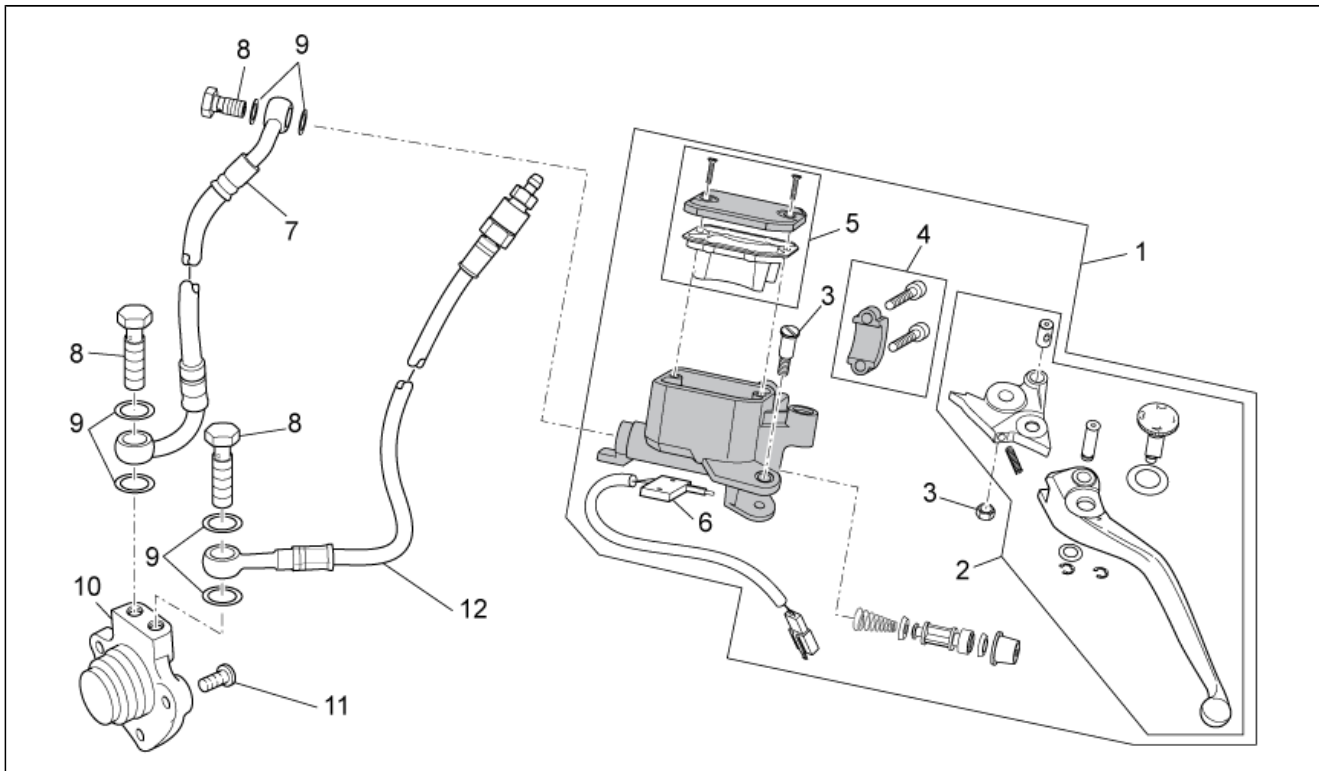
Pos.	Code	Description	Q.ty	Variants
23	883802	RH/LH rearview mirror	1	Color:marked "FU E11 81R-001047"[B]
23	978570	RH/LH rearview mirror	1	Color:marked "FAR"[A]
24	GU98612325	Screw M6x25	4	

Assembly	FRAME
Code	33.21
Description	Front master cilinder
Revision	1



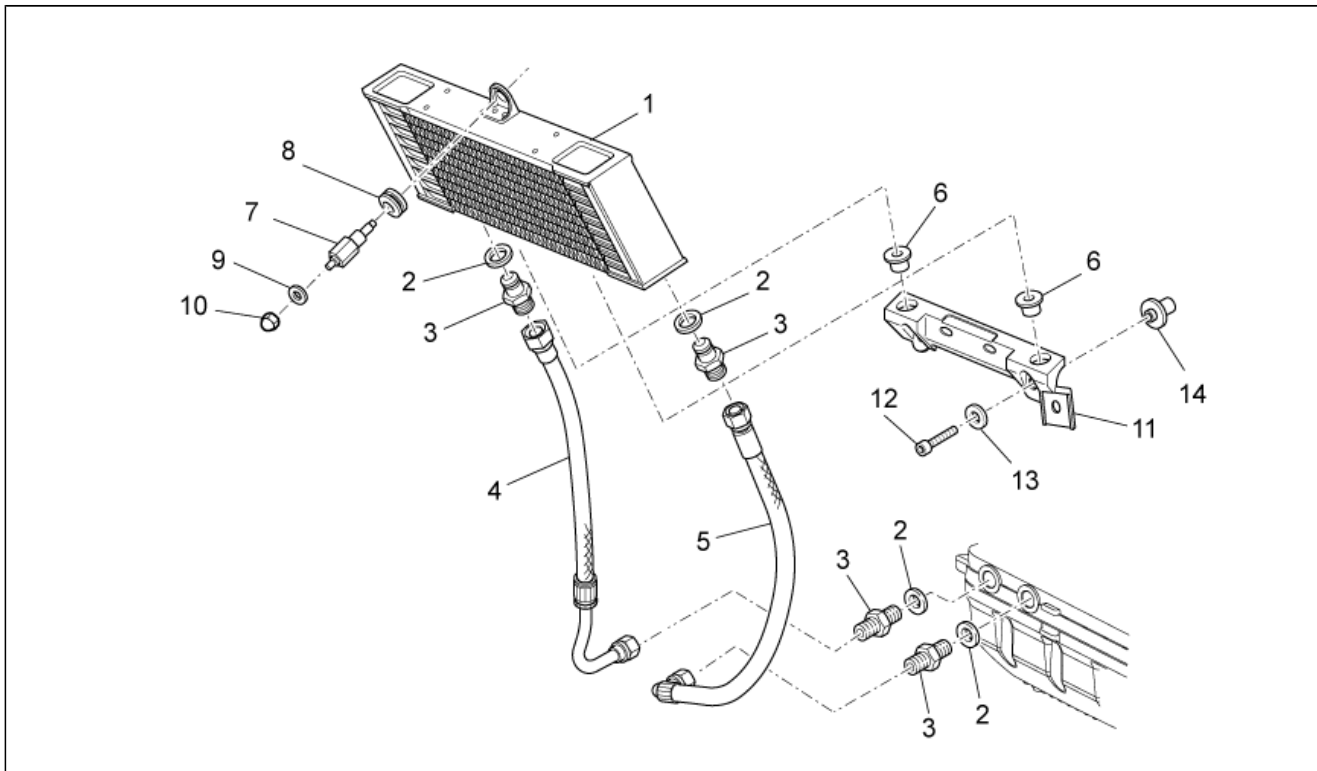
Pos.	Code	Description	Q.ty	Variants
1	978606	Front master cilinder	1	Technical Specifications: Second series[2A], Adjustment lever ring nut , silver[SL]
1	978606	Front master cilinder	1	Technical Specifications: First series[1A], Adjustment lever ring nut , gold[GL]
2	854603	Front brake lever	1	Technical Specifications: First series[1A], Adjustment lever ring nut , gold[GL]
2	981050	Front brake lever	1	Technical Specifications: Second series[2A], Adjustment lever ring nut , silver[SL]
3	AP8113995	Lever pin	1	
4	GU05661130	Tank cap	1	
5	AP8113993	U-bolt	1	
6	GU05658830	Front brake hose	1	Technical Specifications: Version without ABS[std]
7	AP8133594	Oil pipe screw	3	
8	GU25656100	Gasket	6	
9	GU03749845	Brake light switch	1	
10	GU98370412	Hex socket screw M4x12	1	
11	GU95021104	Washer 4,3x8x1,5	1	

Assembly	FRAME
Code	33.22
Description	Clutch control complete
Revision	1



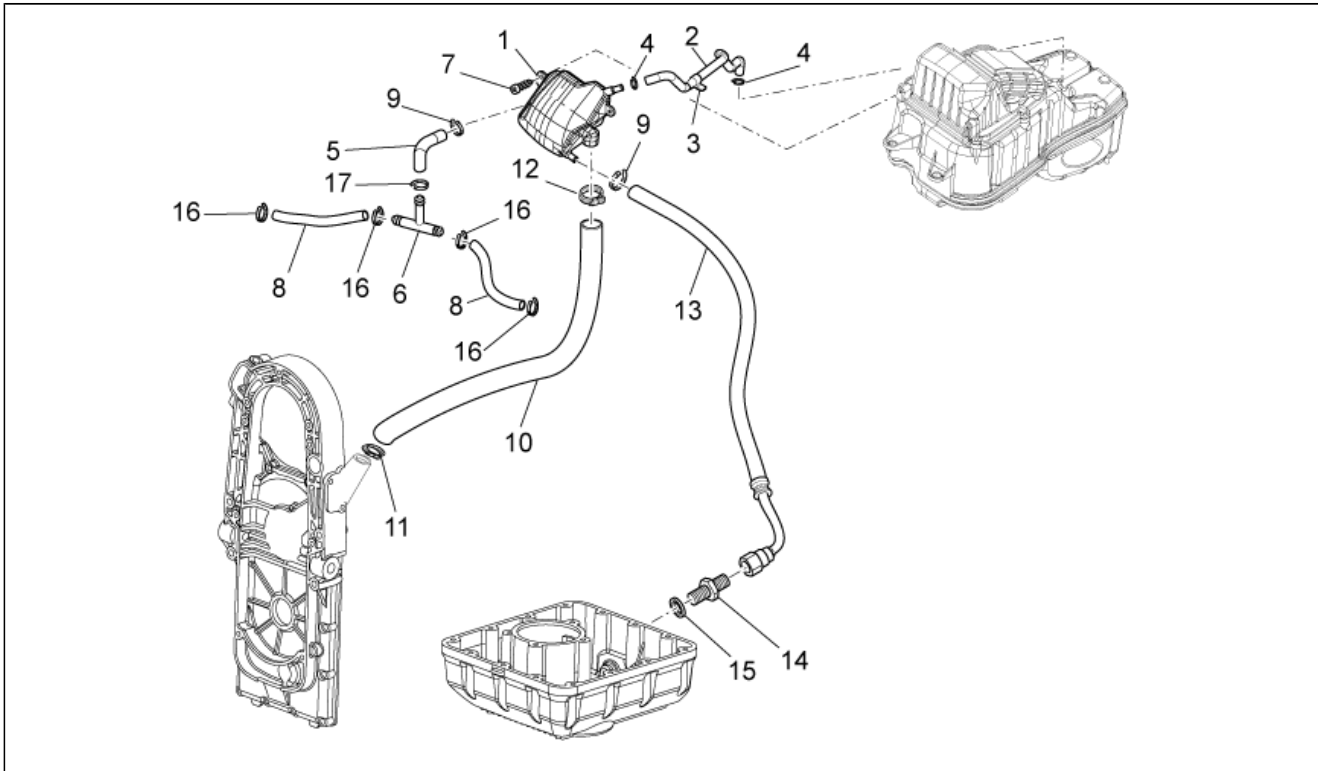
Pos.	Code	Description	Q.ty	Variants
1	978607	Clutch pump	1	Technical Specifications: Second series[2A], Adjustment lever ring nut , silver[SL]
1	AP8106713	Clutch pump	1	Technical Specifications: First series[1A], Adjustment lever ring nut , gold[GL]
2	981046	LEVA FRIZIONE 110.9500.07	1	Technical Specifications: Second series[2A], Adjustment lever ring nut , silver[SL]
2	AP8118659	Clutch lever	1	Technical Specifications: First series[1A], Adjustment lever ring nut , gold[GL]
3	GU03604845	Lever pin	1	
4	AP8113993	U-bolt	1	
5	AP8113997	Tank cap	1	
6	AP8113998	Microswitch	1	
7	GU05606530	Clutch pipe	1	
8	AP8133594	Oil pipe screw	3	
9	AP8113004	Washer 10x14x1,6*	6	
10	GU05086330	Clutch command cylinder	1	
11	AP8152278	Screw w/ flange M6x16*	3	
12	GU05606630	Float chambe clutch pipe	1	

Assembly	FRAME
Code	33.23
Description	Oil cooler
Revision	1



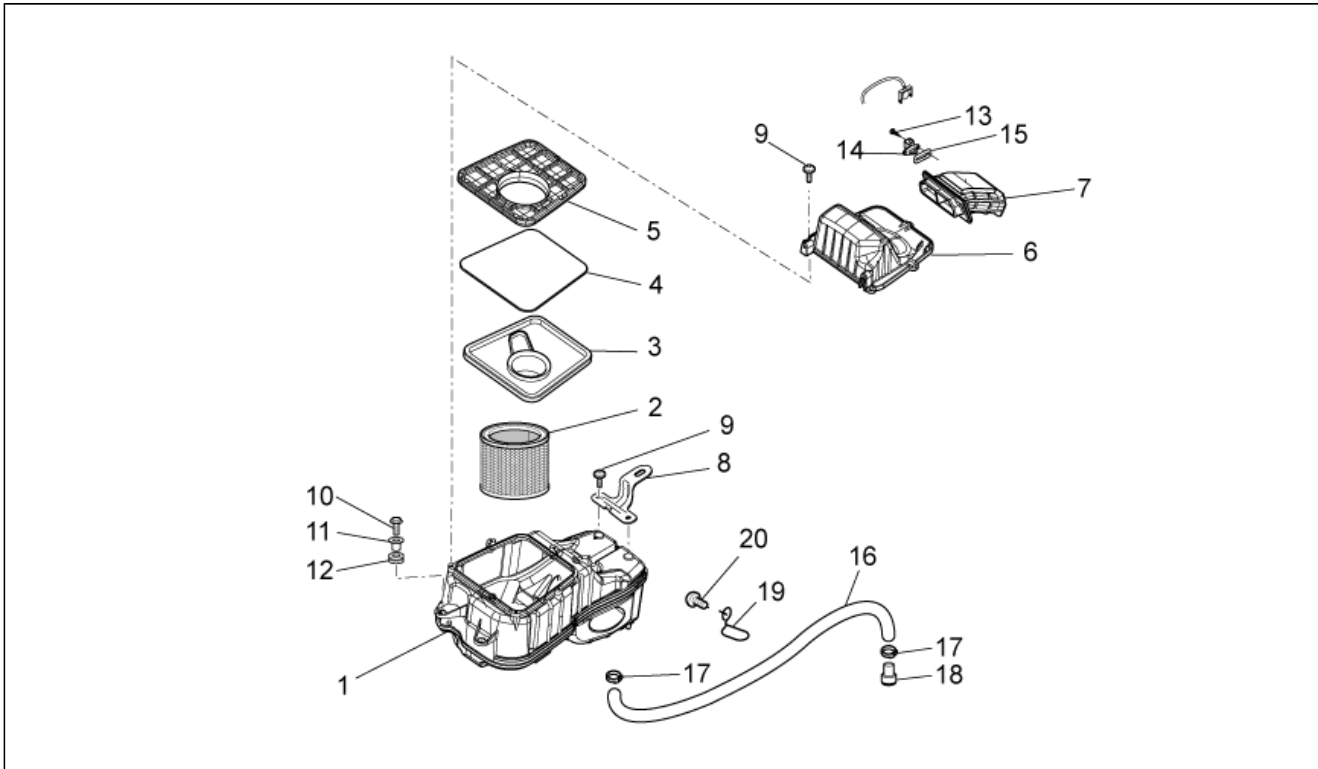
Pos.	Code	Description	Q.ty	Variants
1	GU05162031	Oil cooler cpl.	1	
2	GU01154230	Gasket	4	
3	GU01161331	Reduction	4	
4	GU05162331	RH pipe	1	
5	GU05161631	LH pipe	1	
6	AP8101372	Silent-block	2	
7	GU05164630	Special screw	1	
8	GU91551010	Rubber spacer	1	
9	GU95005304	Washer 5,2x18x1,5	1	
10	GU92787205	Cap nut M5x0,8	1	
11	GU05164230	Clamp	1	
12	GU98680340	Hex socket screw M6X40	2	
13	GU95005306	Washer 6,4x13x1,5	2	
14	GU91120622	Bush 6,2x11x22,5	2	

Assembly	FRAME
Code	33.24
Description	Blow-by system
Revision	1



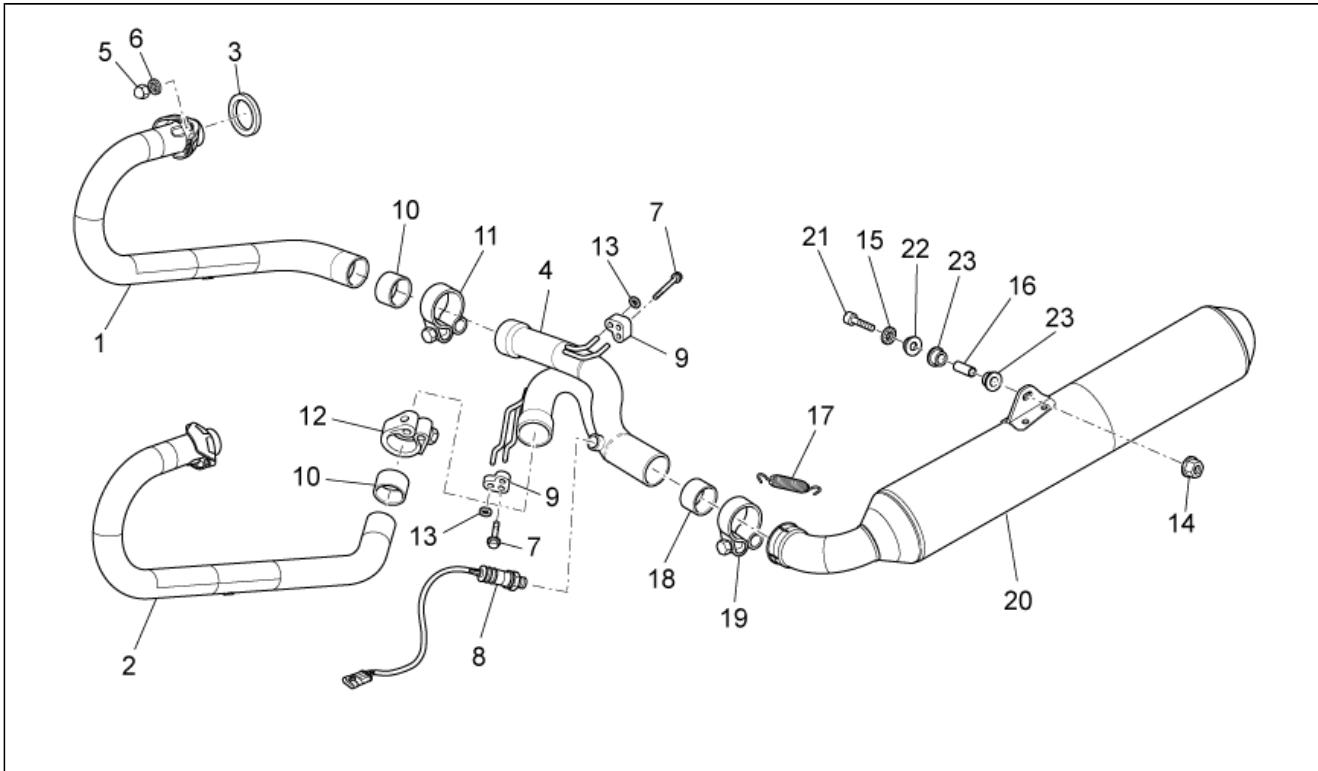
Pos.	Code	Description	Q.ty	Variants
1	GU05153430	Housing	1	
2	GU05157430	Breather pipe	1	
3	AP8102151	Black hose D12*	1	
4	AP8102520	Hose clamp	2	
5	GU05159630	Breather pipe	1	
6	GU95960609	3-way union	1	
7	AP8150509	Self-tap screw 5x14	2	
8	GU00823955080	Breather pipe	2	
9	AP8101586	Hose clip D.15,5x6,6	2	
10	GU05157630	Breather pipe	1	
11	AP8101588	Hose clip D.24,5x8,6	1	
12	GU93306018	Hose clamp 17X29X8	1	
13	GU05159330	Pipe	1	
14	GU01161331	Reduction	1	
15	GU01154230	Gasket	1	
16	AP8201358	Hose clamp D 11,9	4	
17	AP8102765	White hose clip D.13,5x6	1	

Assembly	FRAME
Code	33.26
Description	Air box
Revision	1



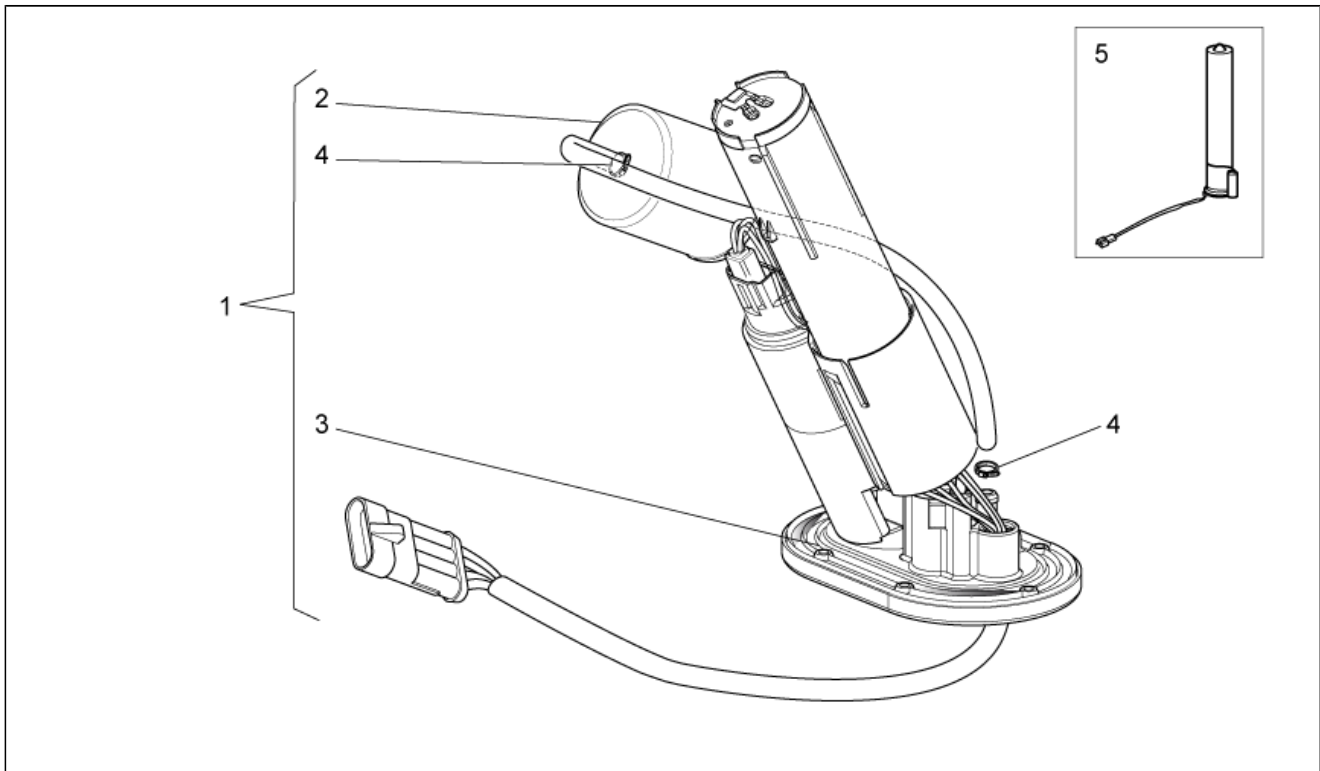
Pos.	Code	Description	Q.ty	Variants
1	GU05114031	Air box	1	
2	AP8104211	Air filter	1	
3	GU05113730	Protection	1	
4	AP8120615	Gasket D3	1	
5	GU05103830	Adhesive sponge	1	
6	GU05113530	Cover	1	
7	AP8144164	Intake hose	1	
8	GU05114130	Air box support	1	
9	AP8152329	Phillips screw, SWP M5X20	7	
10	AP8152279	Screw w/ flange M6x20	2	
11	AP8221023	T bush *	2	
12	AP8120030	Rubber spacer *	2	
13	AP8150421	Self-tap screw 2,9x12	2	
14	GU30729330	Air temp. Sensor	1	
15	GU30027931	Gasket	1	
16	AP8144038	Fuel pipe 6x10	1	
17	AP8101595	Hose clamp D10,1*	2	
18	AP8120876	Plug	1	
19	AP8120428	Cable-guide	1	
20	AP8152278	Screw w/ flange M6x16*	1	

Assembly	FRAME
Code	33.27
Description	Exhaust unit
Revision	1



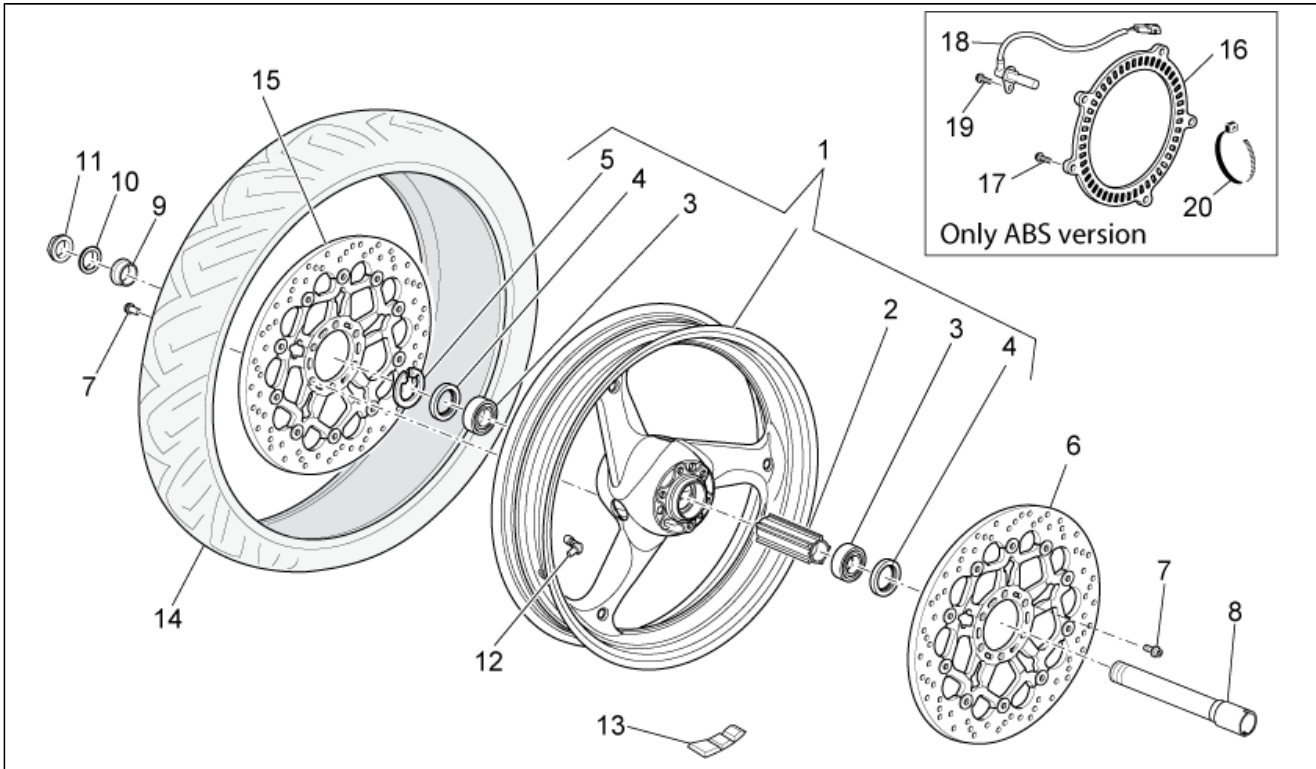
Pos.	Code	Description	Q.ty	Variants
1	977662	RH exhaust pipe	1	
2	977663	LH exhaust pipe	1	
3	GU90718370	Gasket	2	
4	977664	Central exhaust pipe	1	
5	GU92660021	Flanged nut M8	4	
6	GU14615901	Washer 8,4X13X0,8	4	
7	GU05124330	Screw	2	
8	GU32727010	Lambda sensor	1	
9	GU05124230	Rubber spacer	2	
10	GU05121630	Gasket	2	
11	976522	RH hose clamp	1	
12	976523	LH hose clamp	1	
13	GU90274008	Washer for shafts D8	4	
14	GU92650138	Nut M8x1,25	1	
15	GU95005312	Washer 8,5x24x2	1	
16	883079	Spacer	1	
17	AP8121170	Spring	1	
18	GU05128230	Gasket	1	
19	976521	Hose clamp	1	
20	9776651	Silencer	1	
21	GU98680445	Hex socket screw M8X45	1	
22	AP8134378	Silencer fixing bush	1	
23	AP8144071	Rubber exhaust	2	

Assembly	FRAME
Code	33.28
Description	Internal fuel pump
Revision	1



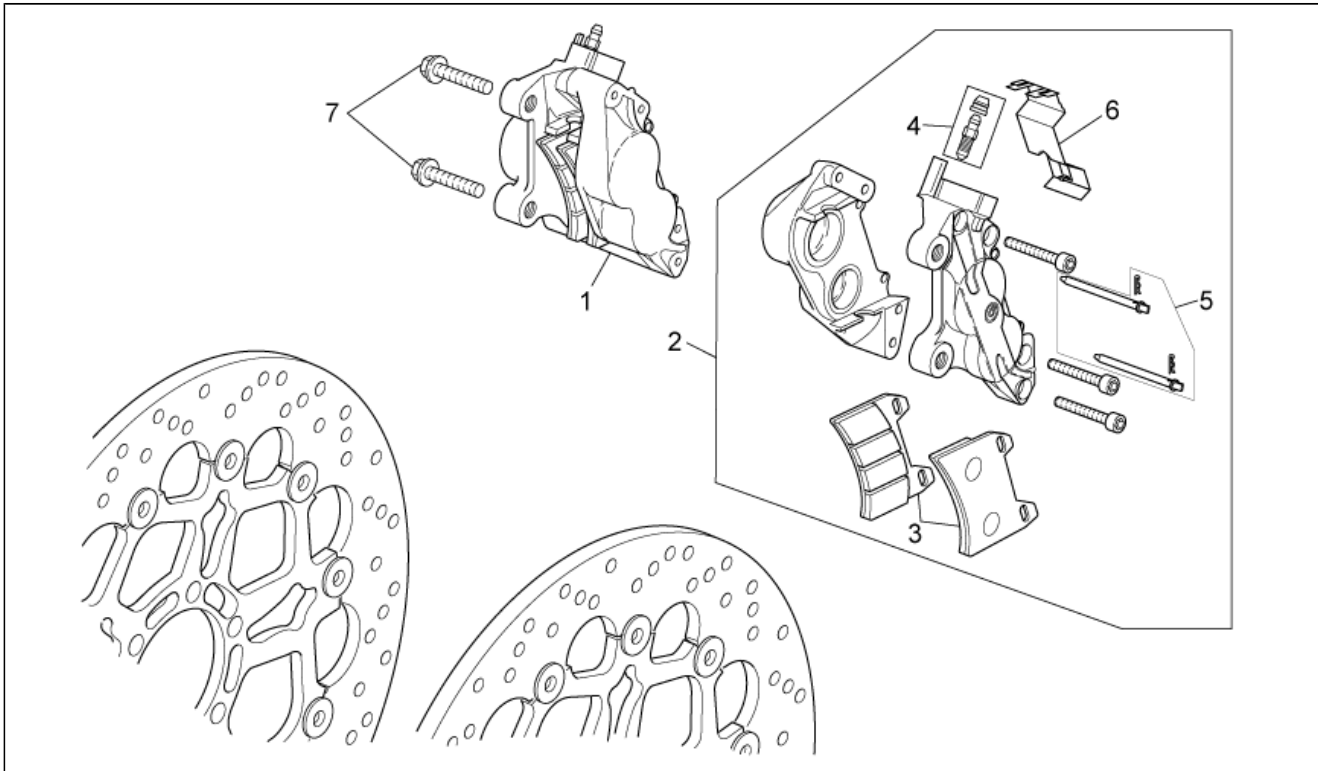
Pos.	Code	Description	Q.ty	Variants
1	GU05107230	Fuel pump cpl.	1	
2	GU01106090	Fuel filter	1	
3	GU05107430	Gasket	1	
4	GU01108490	Hose clamp 11,3	4	
5	AP8127817	Fuel level sensor	1	

Assembly	FRAME
Code	33.29
Description	Front wheel
Revision	1



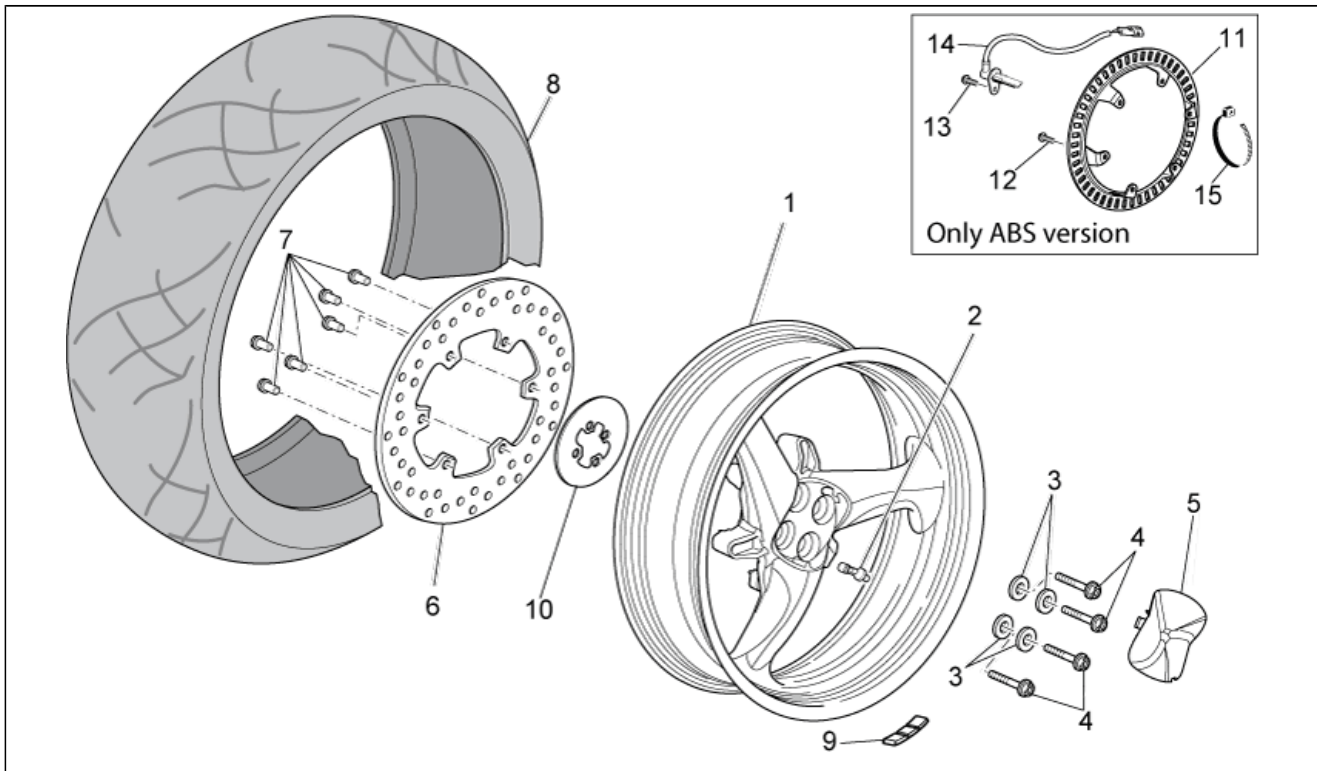
Pos.	Code	Description	Q.ty	Variants
1	977266	Front wheel, grey 3,5x17"	1	
2	GU05615230	Spacer	1	
3	AP8125777	Ball bearing 25x47x12	2	
4	AP8125773	Gasket ring 30x47x7	2	
5	AP8125779	Circlip	1	
6	GU05613335	Front brake disc, gold 320	1	
7	GU05611430	Screw M8x16	12	
8	GU05614130	Front wheel spindle	1	
9	AP8125791	Spacer	1	
10	GU95005325	Washer 25,2X36X1	1	
11	GU01612190	Nut	1	
12	GU03617710	Tubeless tyre valve	1	
13	GU14616150	Counterweight	1	
14	0000000	Tyre 110/90"	1	
15	GU05613335	Front brake disc, gold 320	1	Technical Specifications: Version without ABS[std]
15	GU05613335	Front brake disc, gold 320	1	Technical Specifications: ABS version[abs]
16	GU05681430	Wheel speed sensor, left front	1	Technical Specifications: ABS version[abs]
17	GU98250510	Screw M5x10	5	Technical Specifications: ABS version[abs]
18	AP8127469	Sensor abs	1	Technical Specifications: ABS version[abs]
19	AP8152278	Screw w/ flange M6x16*	1	Technical Specifications: ABS version[abs]
20	GU49609601	Hose clamp 2,4x92	1	Technical Specifications: ABS version[abs]

Assembly	FRAME
Code	33.30
Description	Front brake caliper
Revision	1



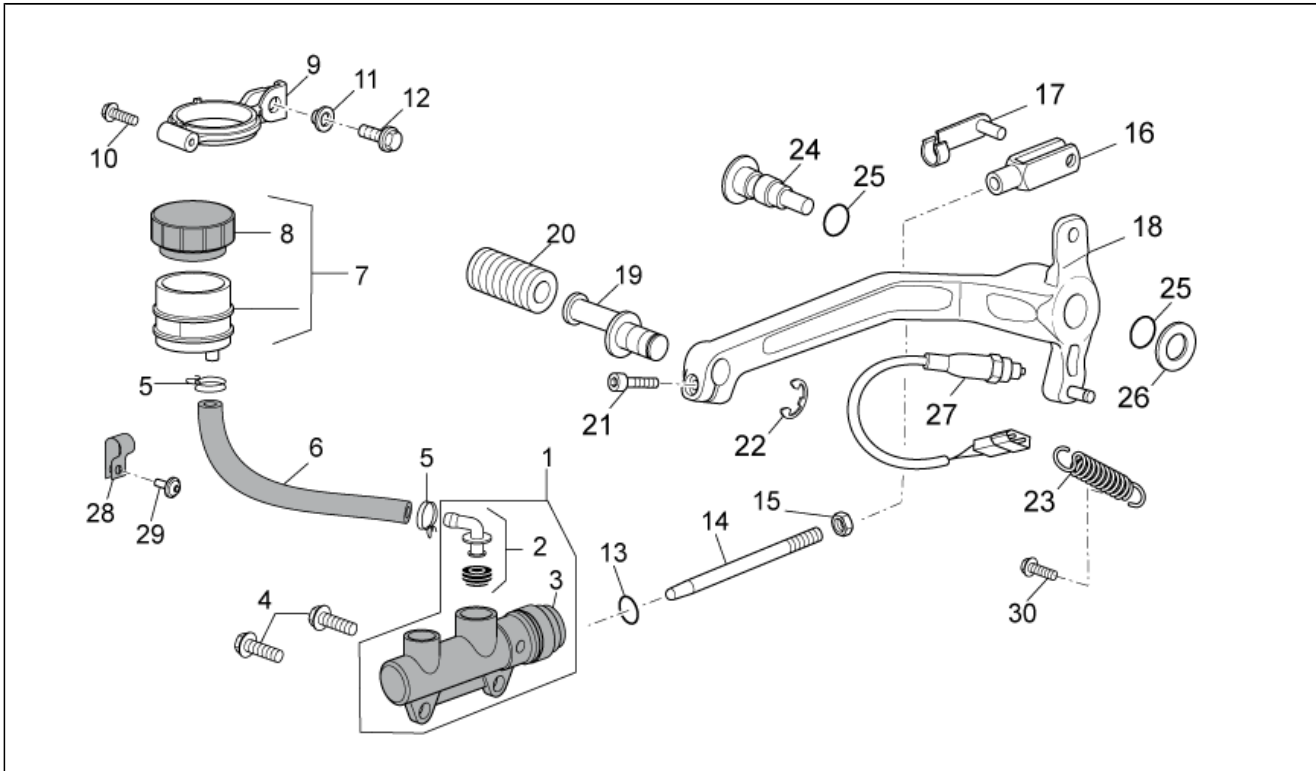
Pos.	Code	Description	Q.ty	Variants
1	GU05652330	RH Front brake caliper, gold	1	
2	GU05652230	LH Front brake caliper, gold	1	
3	GU01654630	Pads pair	2	
4	GU05659230	Bleeder+cap	2	
5	GU01659130	Pins+Caliper springs	2	
6	GU01659131	Spring	2	
7	AP8152385	Hex socket screw M10x1,25	4	

Assembly	FRAME
Code	33.31
Description	Rear wheel
Revision	1



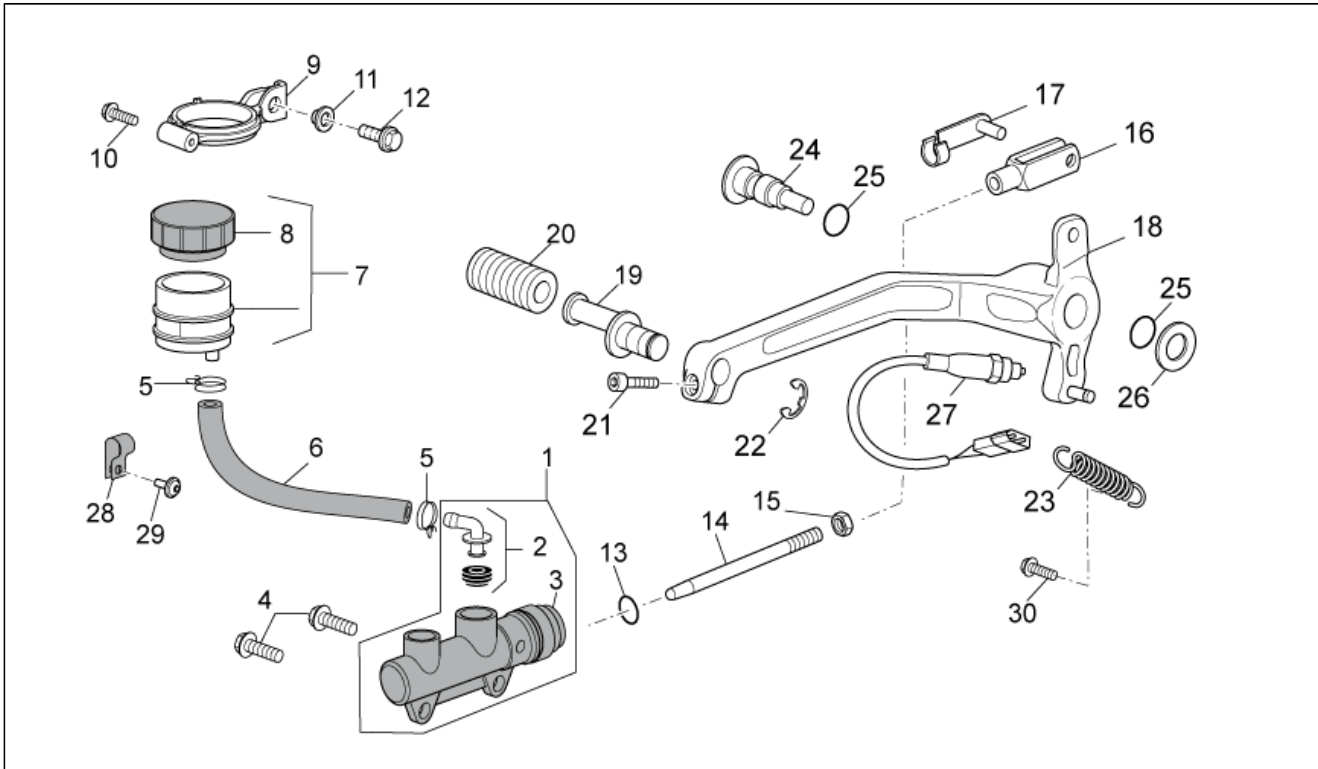
Pos.	Code	Description	Q.ty	Variants
1	977268	Rear wheel, grey 5,5x17"	1	Technical Specifications: ABS version[abs]
1	977339	Rear wheel, grey 5,5x17"	1	Technical Specifications: Version without ABS[std]
2	GU03617710	Tubeless tyre valve	1	
3	GU05632730	Conical bush	4	
4	GU97202665	Screw w/ flange M12x65	4	
5	977340	Cover	1	
6	GU05635730	Rear brake disc	1	
7	GU30611460	Screw	6	
8	0000000	Tyre 110/90"	1	
9	GU14616150	Counterweight	1	
10	977056	Dust cover ring	1	
11	GU05681530	Wheel speed sensor, left front	1	Technical Specifications: ABS version[abs]
12	AP8152272	Screw w/ flange M5x12	6	Technical Specifications: ABS version[abs]
13	GU05683730	Sensor	1	Technical Specifications: ABS version[abs]
14	AP8152278	Screw w/ flange M6x16*	1	Technical Specifications: ABS version[abs]
15	GU49609601	Hose clamp 2,4x92	1	Technical Specifications: ABS version[abs]

Assembly	FRAME
Code	33.32
Description	Rear master cylinder
Revision	1



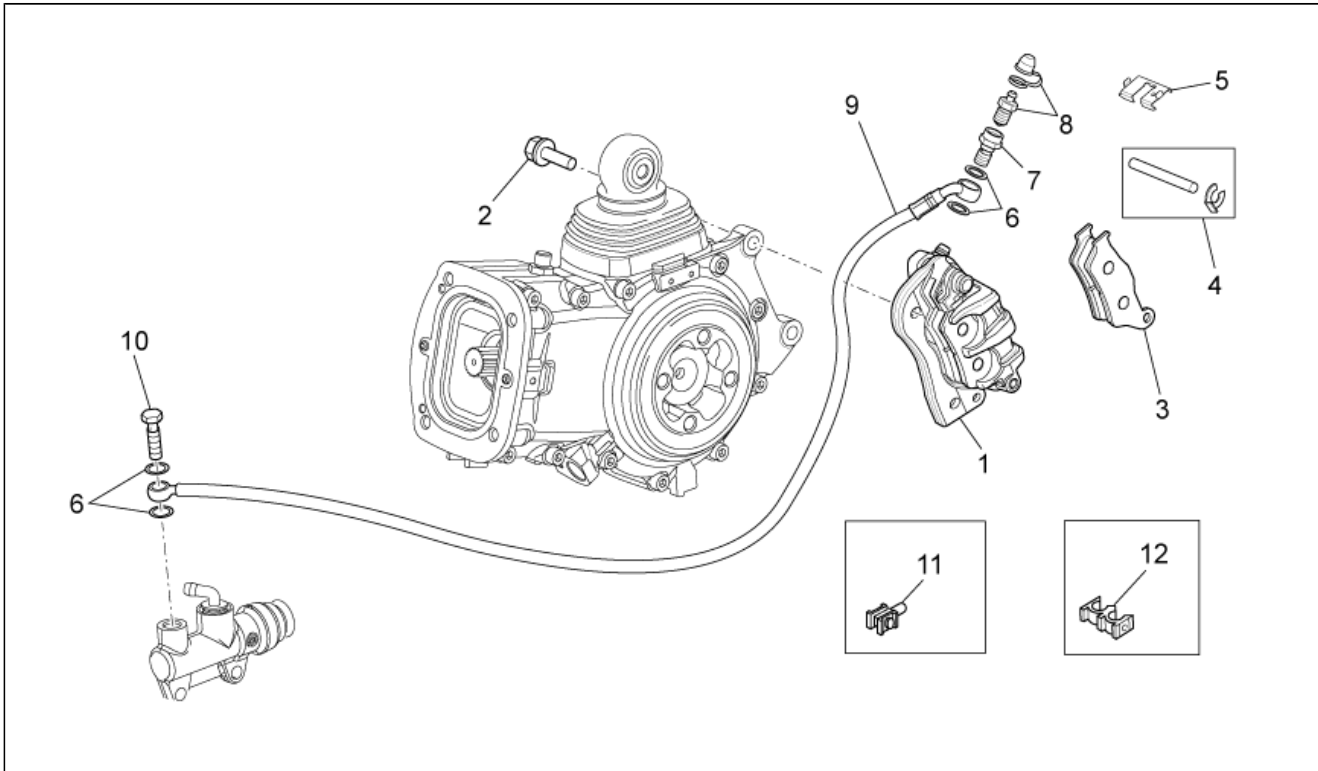
Pos.	Code	Description	Q.ty	Variants
1	GU0566930	Rear master cylinder	1	
2	AP8113594	Rear brake pump union	1	
3	AP8113288	Rubber bellows	1	
4	AP8152279	Screw w/ flange M6x20	2	
5	AP8101595	Hose clamp D10,1*	2	
6	GU00823950050	Oil pipe	1	
7	GU05663530	Brake oil tank complete	1	
8	GU17661052	Tank cap	1	
9	GU05666030	Tank support	1	
10	AP8152329	Phillips screw, SWP M5X20	1	
11	AP8221145	T bush *	1	
12	AP8152278	Screw w/ flange M6x16*	1	
13	AP8120178	O-ring OR112	1	
14	977041	Master cylinder rod	1	
15	GU92606206	Nut M6*	1	
16	AP8101968	Fork	1	
17	AP8201301	Gear selector fork clips	1	
18	GU05677030	Rear brake lever	1	
19	AP8121221	Brake lever pin	1	
20	AP8120912	Lever rubber	1	
21	GU98682316	Hex socket screw M6x16	1	
22	AP8150462	Circlip d9	1	
23	AP8121927	Rear brake lever spring	1	
24	AP8121223	Rear brake lever pin	1	
25	AP8144007	O-ring 11,11x1,78	2	
26	GU95008310	Washer 10,5x22x2,5	1	
27	AP8112996	Brake light switch	1	
28	AP8102151	Black hose D12*	1	

Assembly	FRAME
Code	33.32
Description	Rear master cylinder
Revision	1



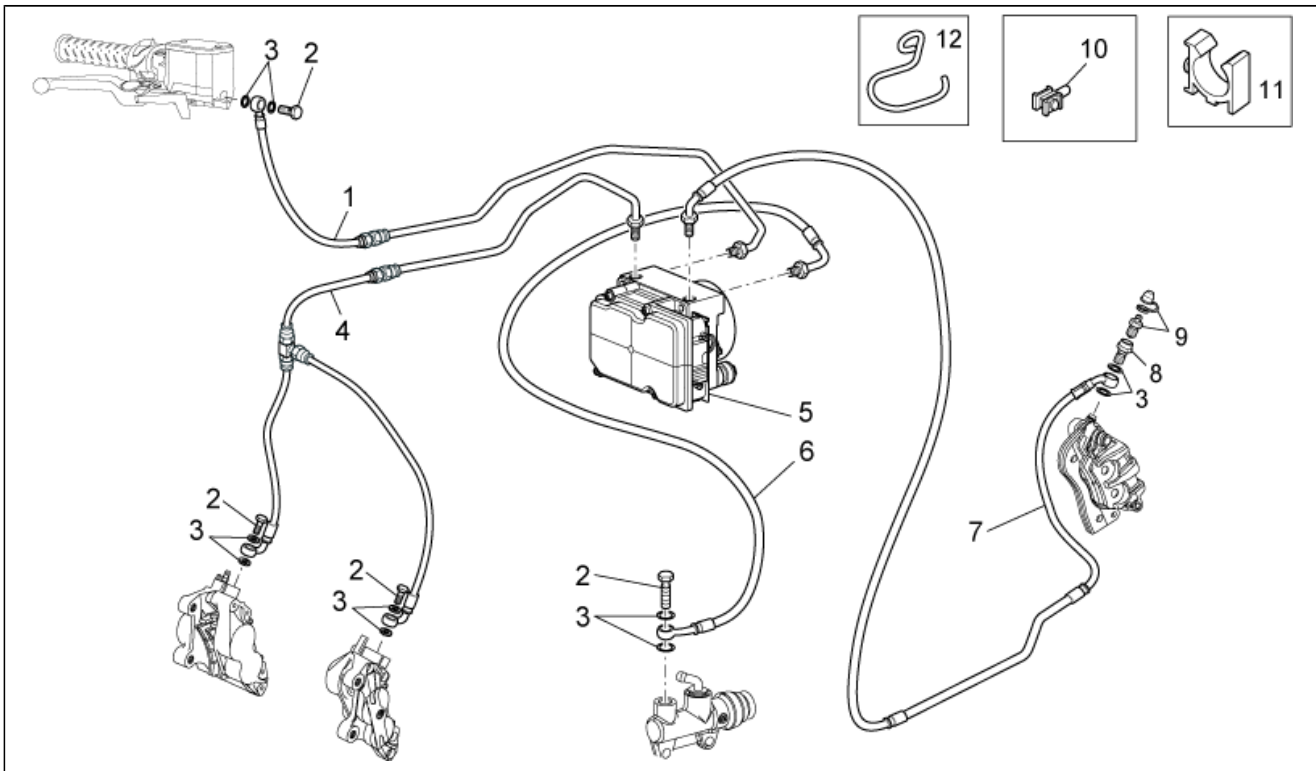
Pos.	Code	Description	Q.ty	Variants
29	GU98350210	Hex socket screw M5X10	1	
30	AP8152273	Screw w/ flange M5x16	1	

Assembly	FRAME
Code	33.33
Description	Rear brake caliper
Revision	1



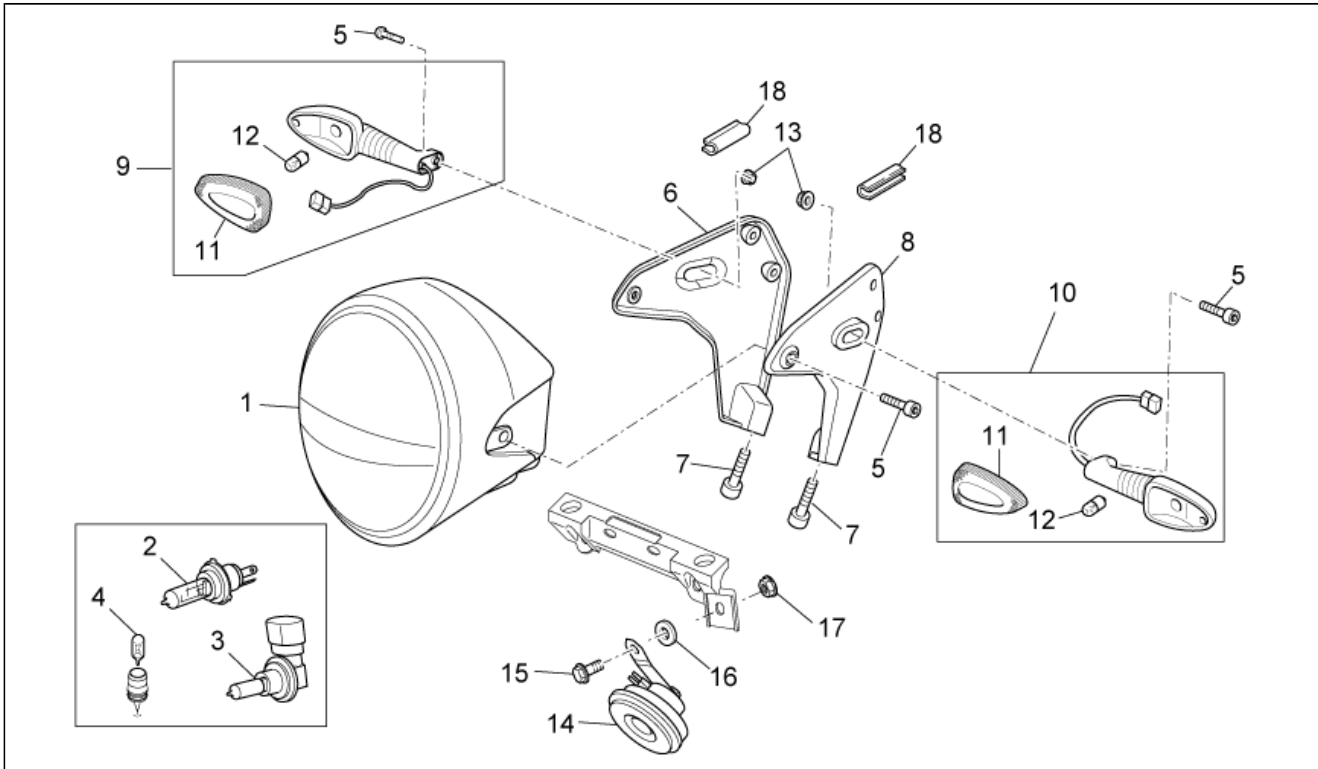
Pos.	Code	Description	Q.ty	Variants
1	GU05653030	Rear brake caliper, gold	1	
2	AP8152320	Screw w/ flange M10x30*	2	
3	GU05654630	Pads pair	1	
4	GU05659130	Pin+split pin	1	
5	GU05659030	Spring	1	
6	GU25656100	Gasket	4	
7	AP8133597	Screw	1	
8	AP8213113	Bleeder+cap	1	
9	GU05657530	Rear brake hose	1	Technical Specifications: Version without ABS[std]
10	AP8133962	Oil pipe screw *	1	
11	AP8202238	Cable-guide hook	4	
12	AP8201808	Cable-guide D8	4	Technical Specifications: Version without ABS[std]
12	GU05436530	Cable-guide D5	4	Technical Specifications: ABS version[abs]

Assembly	FRAME
Code	33.34
Description	ABS Brake system
Revision	1



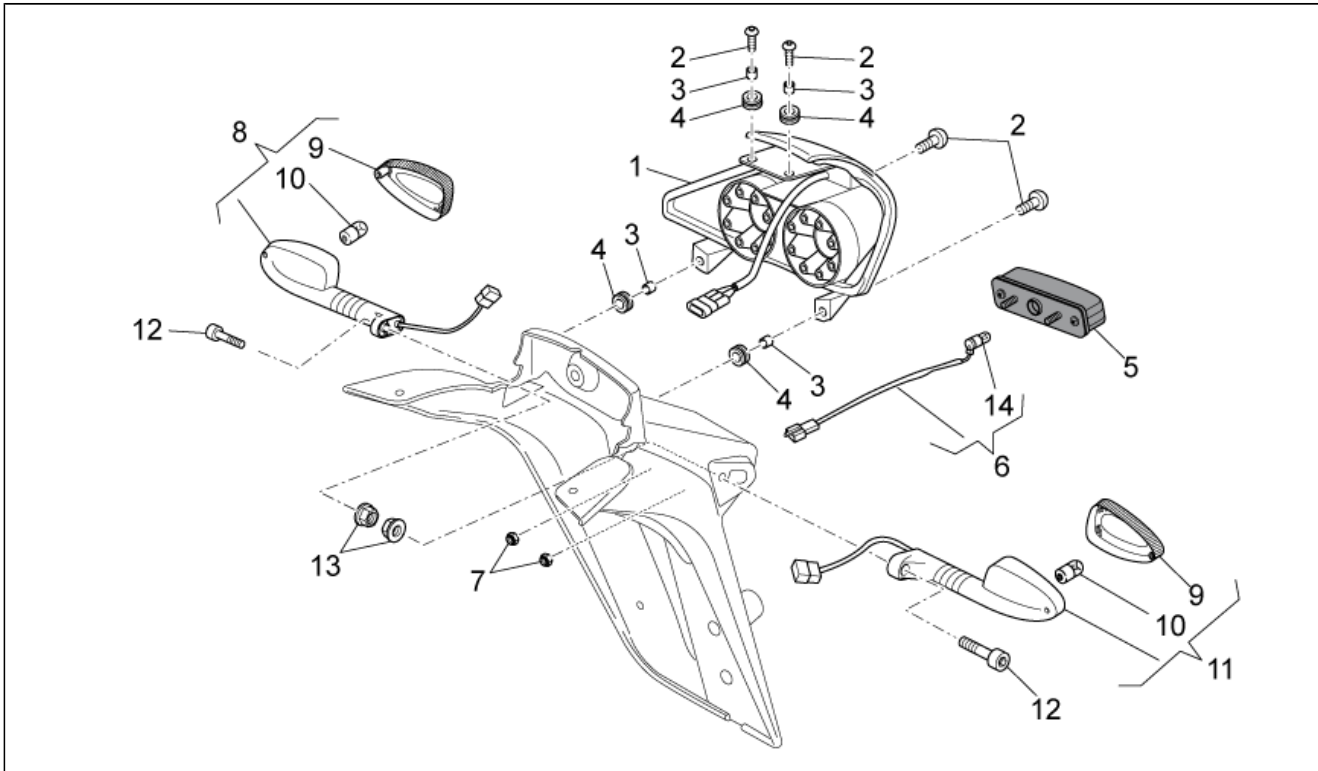
Pos.	Code	Description	Q.ty	Variants
1	GU05681030	Front brake hose	1	Technical Specifications: ABS version[abs]
2	AP8133594	Oil pipe screw	4	
3	GU25656100	Gasket	10	
4	GU05680830	Front brake hose	1	Technical Specifications: ABS version[abs]
5	GU05680530	ECU/Pump ABS	1	Technical Specifications: ABS version[abs]
6	GU05681130	Brake hose	1	Technical Specifications: ABS version[abs]
7	GU05680930	Rear brake hose	1	Technical Specifications: ABS version[abs]
8	AP8133597	Screw	1	
9	AP8213113	Bleeder+cap	1	
10	AP8202238	Cable-guide hook	4	
11	GU05436530	Cable-guide D5	4	Technical Specifications: ABS version[abs]
12	GU05683130	Cable-guide D8	1	Technical Specifications: ABS version[abs]

Assembly	FRAME
Code	33.35
Description	Headlight/Horn
Revision	1



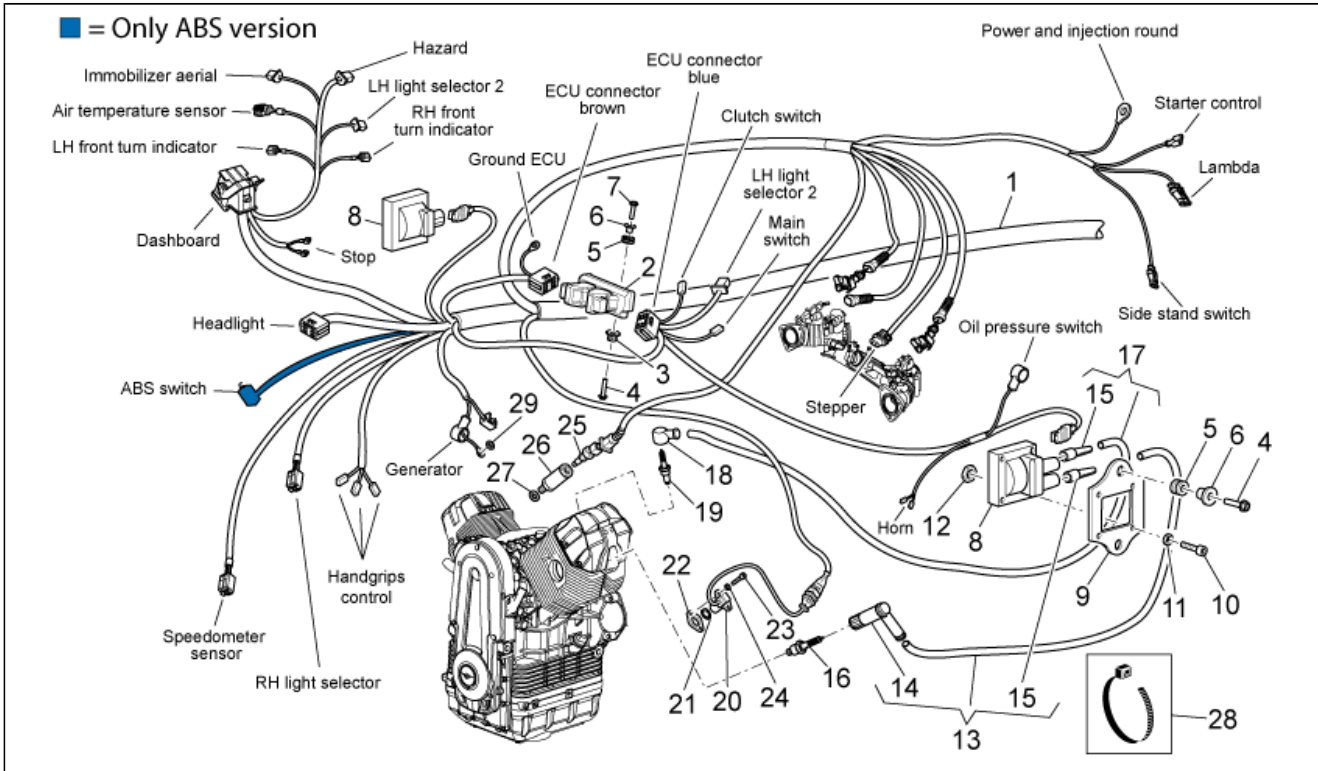
Pos.	Code	Description	Q.ty	Variants
1	GU05740530	Headlight	1	Country:Other country Europe[EU]
1	GU05740531	Cpl headlightsteering headligh	1	Country:Australia[AUS], Japan[J], Great Britain[UK]
2	294353	Lamp H7 55W 12V	1	
3	GU93450265	Lamp H9-12V-65W	1	
4	292022	Lamp WY5W	1	
5	GU98692318	Hex socket screw M6x18	4	
6	GU05578630	RH support	1	
7	GU98682435	Hex socket screw M8X35	2	
8	GU05578631	LH support	1	
9	AP8127514	RH front turn indicator	1	
10	AP8127515	LH front turn indicator	1	
11	AP8127552	Turn indicator lens	2	
12	584332	Lamp, orange 12V-10W	2	
13	GU92630206	Nut M6x1	2	
14	GU05743730	Horn	1	
15	AP8152286	Screw w/ flange M8x20	1	
16	GU95100244	Washer	1	
17	AP8152300	Self-locking nut M8*	1	
18	AP8144707	Gasket	2	

Assembly	FRAME
Code	33.36
Description	Taillight
Revision	1



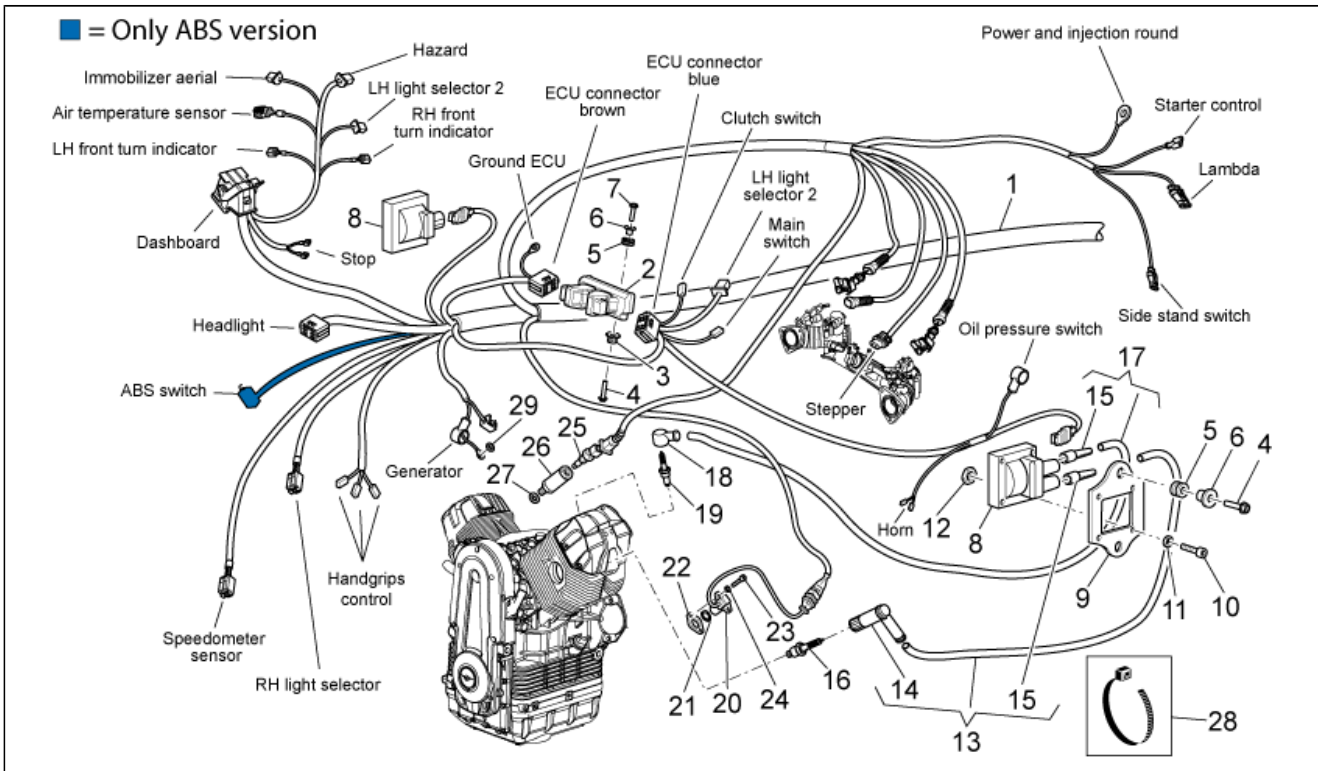
Pos.	Code	Description	Q.ty	Variants
1	GU05740930	Taillight	1	
2	AP8152298	Screw w/ flange M5x16	4	
3	AP8221036	Bush 5,3x8x7,1	4	
4	AP8120405	Rubber spacer *	4	
5	AP8212702	Number-plate light	1	
6	AP8124976	Plate light wiring	1	
7	AP8152306	Self-locking nut M5*	2	
8	GU05751630	Rear RH turn indicator	1	
9	AP8127552	Turn indicator lens	2	
10	584332	Lamp, orange 12V-10W	2	
11	GU05751730	Rear LH turn indicator	1	
12	GU98692318	Hex socket screw M6x18	2	
13	GU92630206	Nut M6x1	2	
14	292022	Lamp WY5W	1	

Assembly	FRAME
Code	33.37
Description	Electrical system I
Revision	1



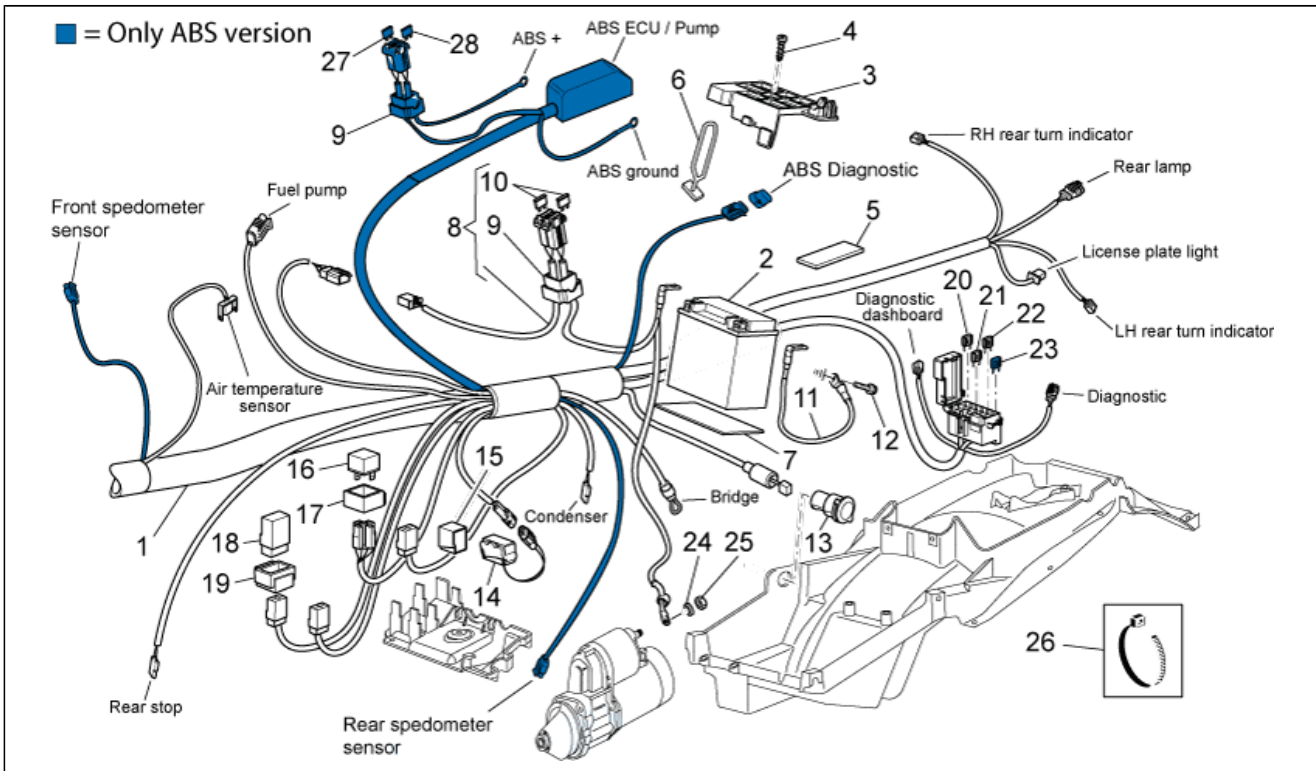
Pos.	Code	Description	Q.ty	Variants
1	978244	Main wiring harness	1	Technical Specifications: ABS version[abs]
1	978991	Main wiring harness	1	Technical Specifications: Version without ABS[std]
2	977676	ECU	1	Technical Specifications: ABS version[abs]
2	977923	ECU	1	Technical Specifications: Version without ABS[std]
3	GU05729230	Bush	2	
4	AP8152279	Screw w/ flange M6x20	6	
5	AP8120030	Rubber spacer *	6	
6	AP8221023	T bush *	6	
7	AP8152282	Screw w/ flange M6x35	2	
8	GU05716530	HT coil	2	
9	GU05716730	Coil holder	2	
10	GU98682125	Hex socket screw M4X25	8	
11	GU95008204	Washer 4,3x8x0,5	8	
12	GU92630104	Nut M4x0,7	8	
13	GU05718330	HT wire	2	
14	GU03717450	Sparkplug cap	2	
15	GU14717600	Cap	4	
16	GU30717061	Spark plug NGK BPR6ES	2	
17	GU05718331	HT wire	2	
18	GU05717430	Sparkplug cap	2	
19	GU05717030	Spark plug NGK PMR8B	2	
20	GU01721600	Phase/revolution sensor	1	
21	GU90706141	O-ring	1	
22	GU01722700	Gasket 0,3mm	1	
22	GU01722701	Gasket 0,4mm	1	
22	GU01722702	Gasket 0,6mm	1	
22	GU01722703	Gasket 0,8mm	1	
22	GU01722704	Gasket 1mm	1	

Assembly	FRAME
Code	33.37
Description	Electrical system I
Revision	1



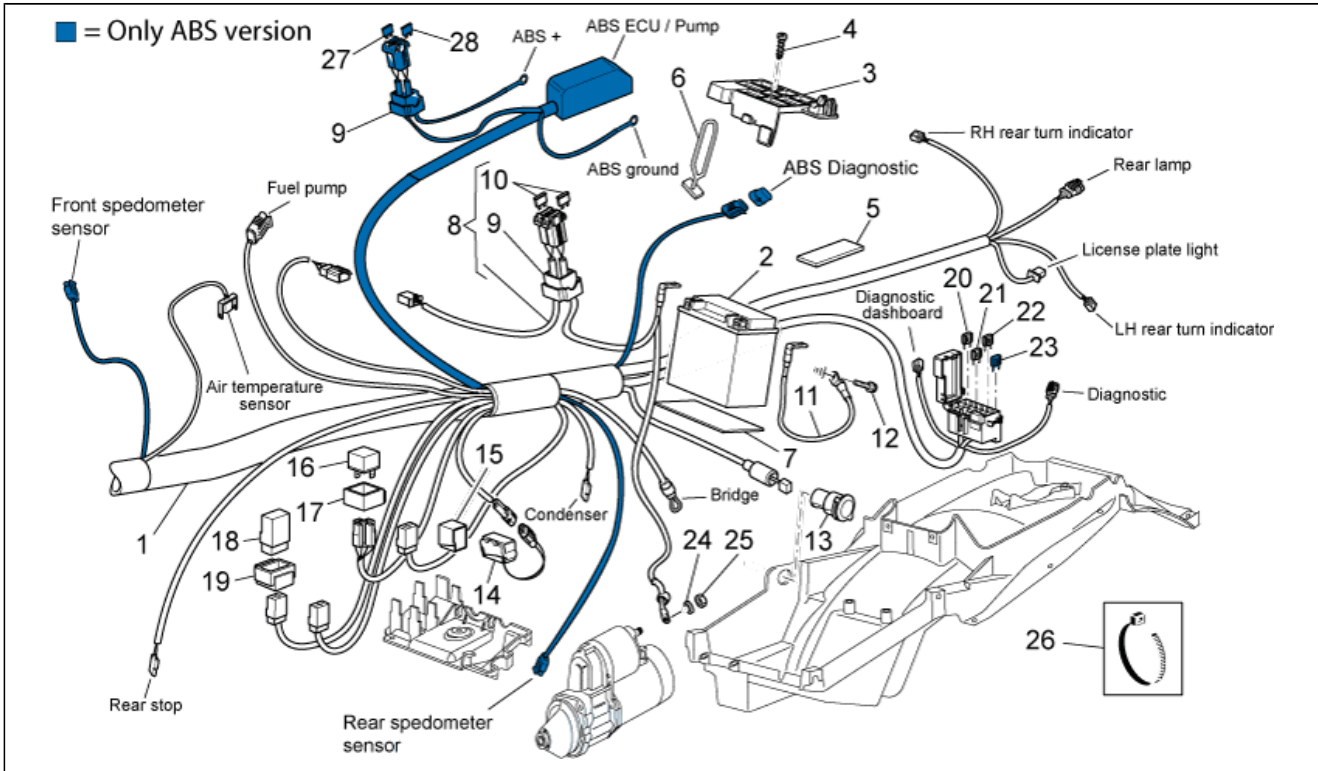
Pos.	Code	Description	Q.ty	Variants
22	GU01722705	Gasket 1,5mm	1	
22	GU29722760	Gasket 0,5 mm	1	
23	GU98682212	Hex socket screw M5x12	2	
24	GU95008205	Washer 5,3x10x0,8	2	
25	GU29729461	Oil temperature sensor	1	
26	GU03163330	Sensor support	1	
27	GU95008210	Washer 10,2X18X2	1	
28	GU14609650	Hose clamp 3,6x20,6	23	
28	GU30609600	Hose clamp 8,8x185	1	
28	GU93304360	Hose clamp 7,6x380	2	
29	AP8152299	Self-locking nut M6*	1	

Assembly	FRAME
Code	33.38
Description	Electrical system II
Revision	1



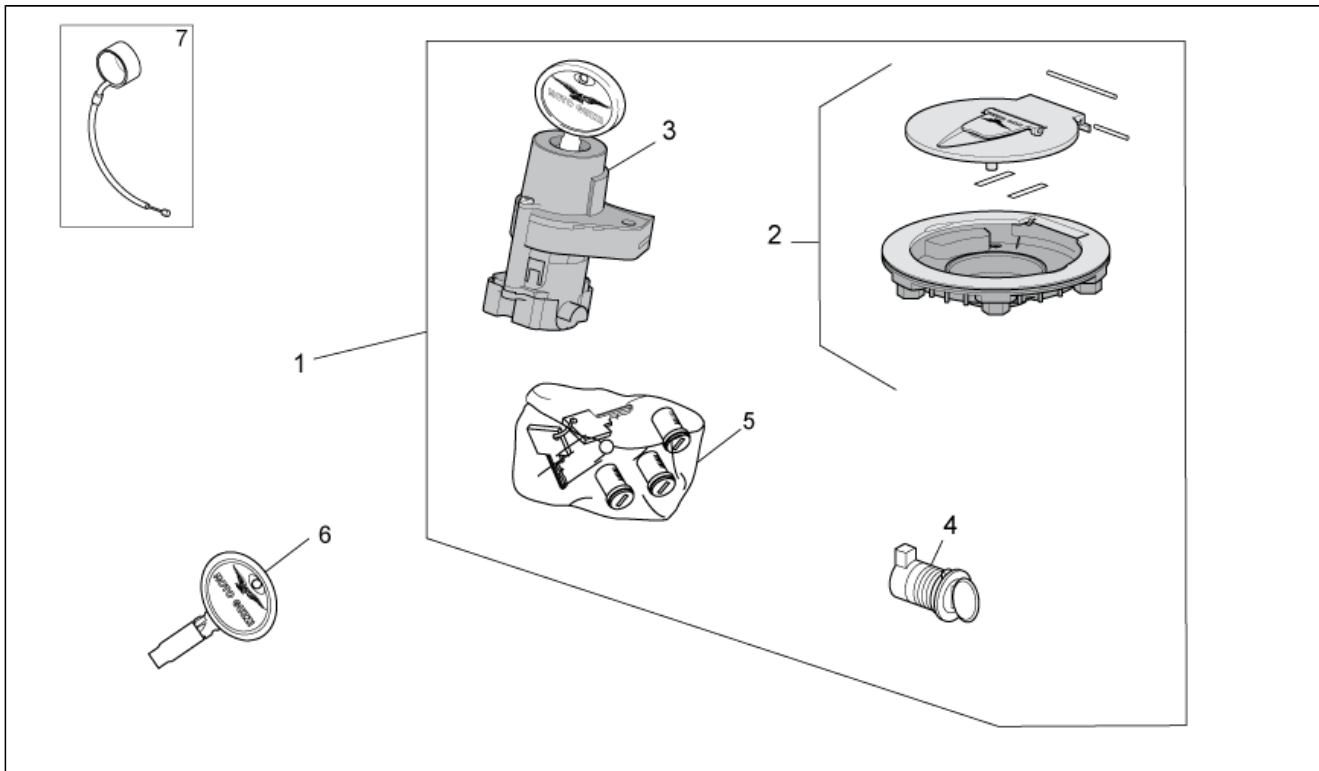
Pos.	Code	Description	Q.ty	Variants
1	978244	Main wiring harness	1	Technical Specifications: ABS version[abs]
1	978991	Main wiring harness	1	Technical Specifications: Version without ABS[std]
2	883818	Battery 12V	1	Technical Specifications: vehicles with battery YT20-BS[B]
2	GU05704531	Battery 12V-20Ah	1	Technical Specifications: vehicles with battery YTX20CH-BS[A]
3	883819	Battery cover	1	Technical Specifications: vehicles with battery YT20-BS[B]
3	GU05704630	Battery cover	1	Technical Specifications: vehicles with battery YTX20CH-BS[A]
4	AP8152329	Phillips screw, SWP M5X20	2	
5	AP8117200	Adhesive sponge	1	
6	AP8120177	Headlight supp.snap	2	
7	AP8144553	Support rubber part	2	
8	GU05747830	Wiring	1	
9	AP8112811	Rubber fuse box	1	Technical Specifications: Version without ABS[std]
9	AP8112811	Rubber fuse box	2	Technical Specifications: ABS version[abs]
10	GU28742562	Fuse 30A	3	
11	978505	Ground-battery lead	1	Technical Specifications: vehicles with battery YT20-BS[B]
11	GU05747930	Ground-battery lead	1	Technical Specifications: vehicles with battery YTX20CH-BS[A]
12	AP8152277	Screw w/ flange M6x12*	1	
13	AP8124768	Socket	1	
14	584509	Security sensor	1	
15	AP8144046	Rubber sensor support	1	
16	AP8124869	Injection relay	1	
17	AP8220546	Relay rubber	1	
18	AP8224462	Relay 12V/30A	3	
19	AP8220283	Rubber spacer *	3	
20	977773	Fuse 20A	2	
21	977772	Fuse 15A	4	

Assembly	FRAME
Code	33.38
Description	Electrical system II
Revision	1



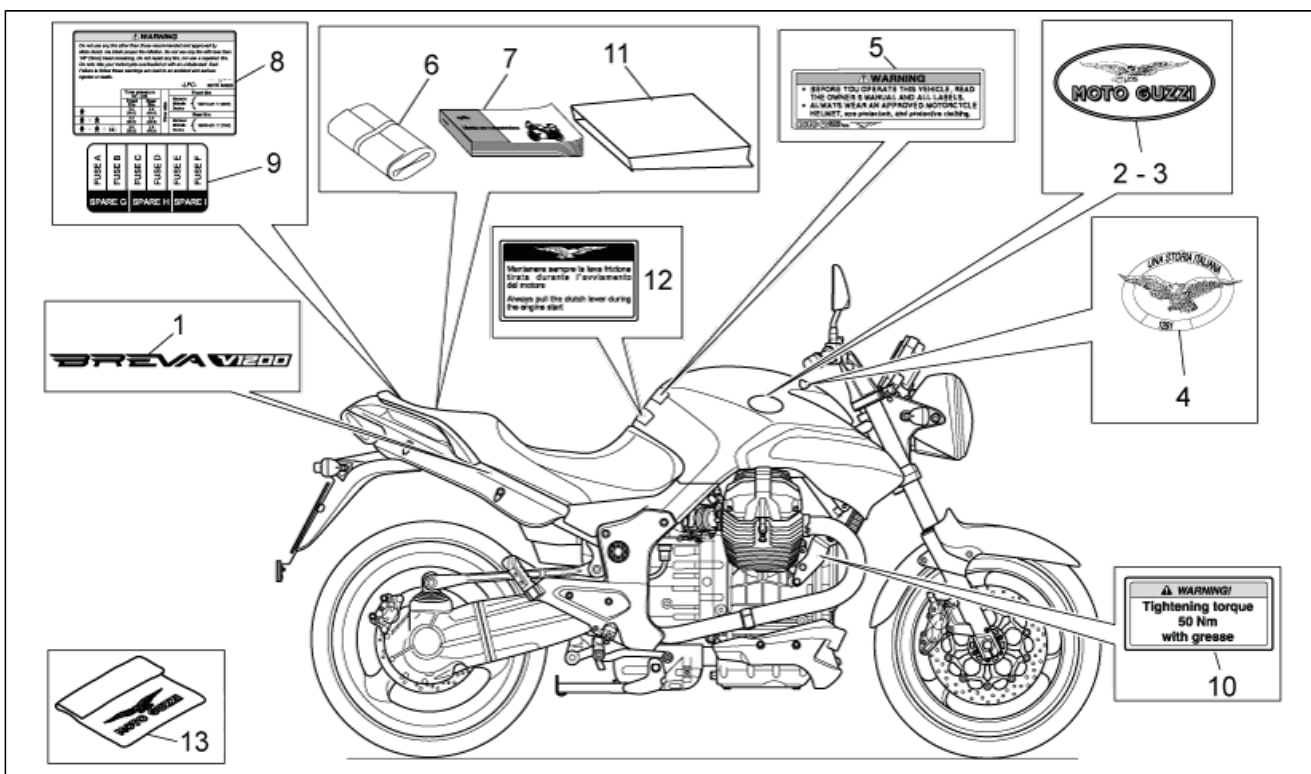
Pos.	Code	Description	Q.ty	Variants
22	977769	Fuse 3A	2	
23	977771	Fuse 10A	1	Technical Specifications: ABS version[abs]
24	GU95129131	Washer 8,4x15x1,7	1	
25	GU92609408	Nut M8x1,25	1	
26	GU14609650	Hose clamp 3,6x20,6	23	
26	GU30609600	Hose clamp 8,8x185	1	
26	GU93304360	Hose clamp 7,6x380	2	
27	977761	Fuse ABS-25A	2	Technical Specifications: ABS version[abs]
28	977762	Fuse ABS-40A	2	Technical Specifications: ABS version[abs]

Assembly	FRAME
Code	33.39
Description	Lock hardware kit
Revision	1



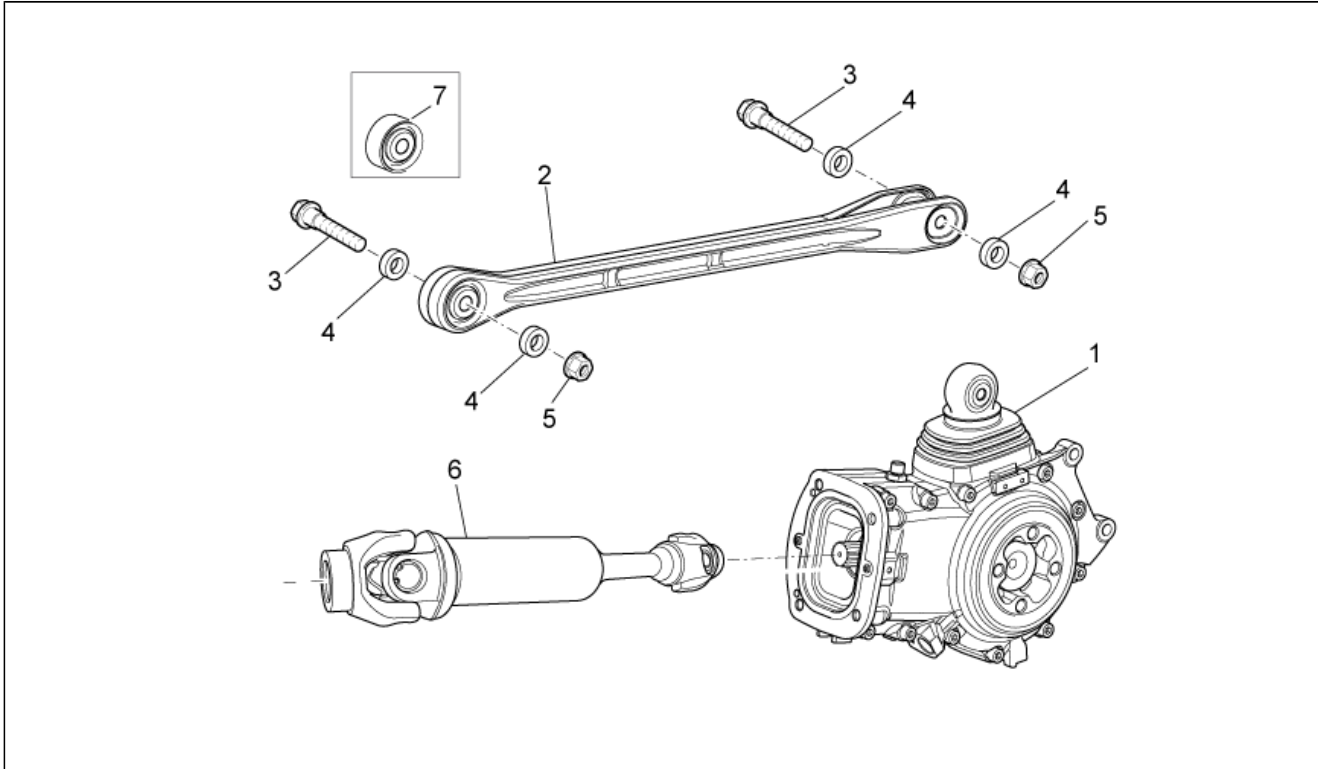
Pos.	Code	Description	Q.ty	Variants
1	977666	Lock hardware kit	1	
2	GU05103930	Tank cap	1	
3	GU05782530	Main switch - steering lock	1	
4	GU05466830	Saddle lock	1	
5	978220	Rotor kit with key	1	
6	977918	Non indented key blank	1	

Assembly	FRAME
Code	33.40
Description	Plate set-decal-op.handbooks
Revision	1



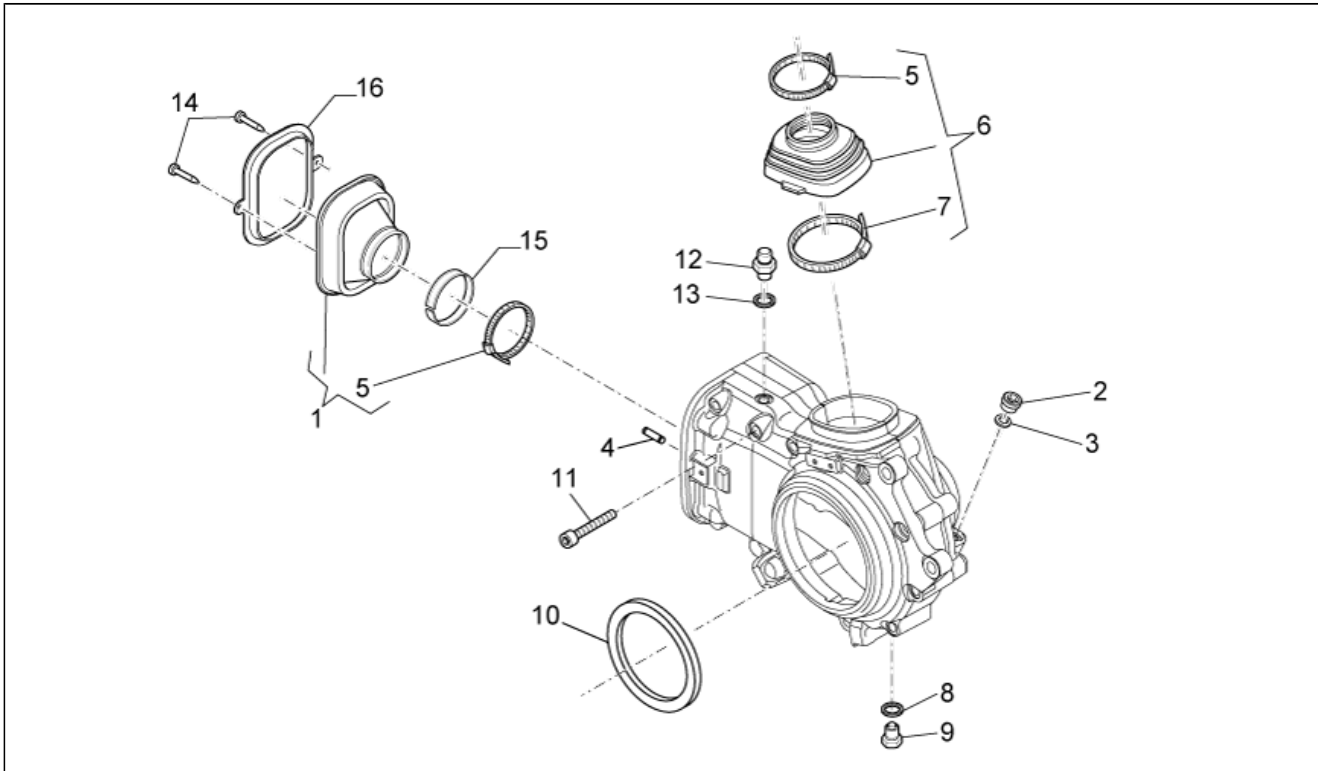
Pos.	Code	Description	Q.ty	Variants
1	978503	Stic.silver "Brevia V 1200	2	year: 2007[7] Color:Excalibur grey 2007[e/gr], Race Red 2007[r/re]
1	978553	Decal "Brevia"	2	year: 2007[7] Color:Graphite Black 2007[g/bl]
2	GU06917400	LH Name plate,red/gold AL	1	
3	GU06917300	RH Name plate,red/gold AL	1	
4	GU05917530	Decal "Italian Story"	1	
5	GU30944300	Decal "Attention"	1	
6	GU05909930	Toolkit	1	
7	978247	Operator's handbook I-F-D-NL-E-UK	1	Country:Australia[AUS], Other country Europe[EU], Japan[J], Great Britain[UK]
8	GU05926030	Tyre pressure decal	1	
9	GU05945030	Sticker "schema fusibili"	1	
10	GU05944530	Decal Warning	1	
11	GU05900130	Bag for document	1	
12	GU05944930	Decal Engine Start	1	
13	GU30970200	Bike cover	1	
14	883645	RH rear fairing decal	1	year: 2009[9] Color:Diamond White 2009[white]
15	883646	LH rear fairing decal	1	year: 2009[9] Color:Diamond White 2009[white]
16	883644	Decal "Brevia"	2	year: 2009[9] Color:Diamond White 2009[white]
17	883640	Decal	1	year: 2009[9] Color:Diamond White 2009[white]
18	883641	Decal	1	year: 2009[9] Color:Diamond White 2009[white]
19	883642	Decal	1	year: 2009[9] Color:Diamond White 2009[white]
20	883643	Decal	1	year: 2009[9] Color:Diamond White 2009[white]

Assembly	ENGINE
Code	34.09
Description	Transmission complete
Revision	1



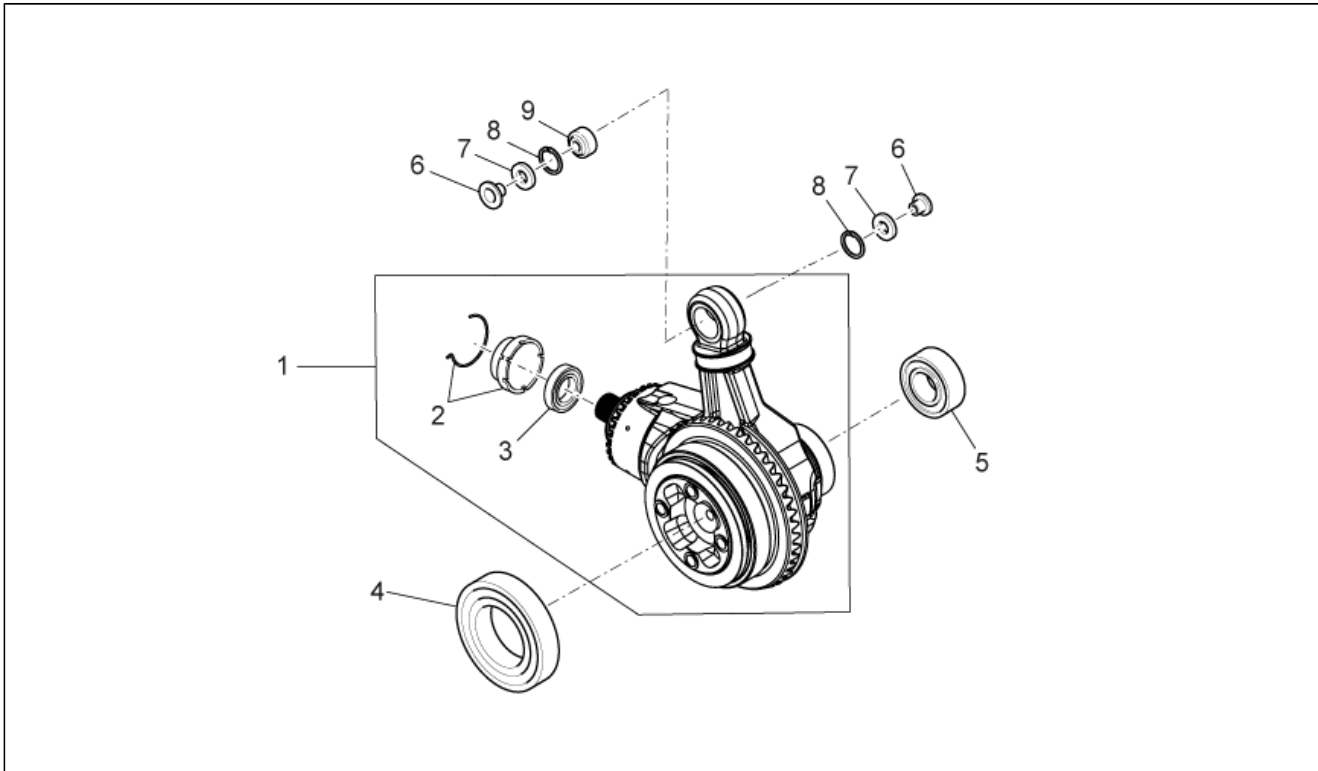
Pos.	Code	Description	Q.ty	Variants
1	976126	Transmission assygrey	1	
2	977262	Reaction rod assy.	1	
3	AP8152410	Screw w/ flange M10x55	2	
4	AP8121218	Spacer 10,2x20x4	4	
5	AP8152242	Nut M10	2	
6	GU05326330	Drive shaft	1	
7	883045	Silent-block	1	

Assembly	ENGINE
Code	34.10
Description	Trans.cpl.-Cage
Revision	1



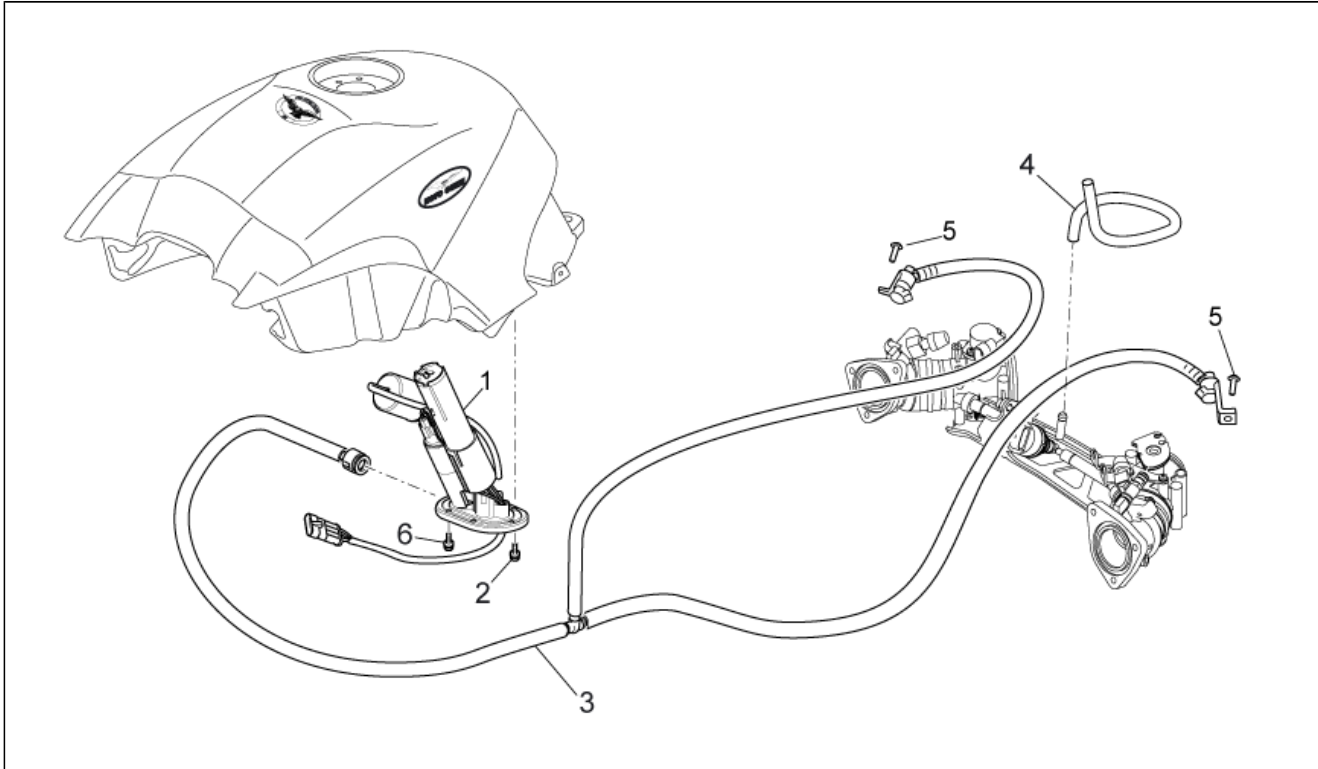
Pos.	Code	Description	Q.ty	Variants
1	GU05358330	Upper dust cover	1	
2	GU05351230	Oil plug M12x1,5	1	
3	GU90718120	Washer	1	
4	GU95510620	Pin 6x20	2	
5	GU05358130	Hose clamp	2	
6	GU05358030	Upper dust cover	1	
7	GU05358230	Hose clamp	1	
8	GU01528930	Gasket 10x18x1,5	1	
9	GU31003766	Oil unload plug M10X1	1	
10	GU90408511	Gasket ring 85x110x8BASL	1	
11	GU98680450	Hex socket screw M8x50	11	
12	GU05206530	Breather plug	1	
13	GU01528930	Gasket 10x18x1,5	1	
14	GU99210406	Screw M3,9x6,5	2	
15	GU05358530	Ring	1	
16	GU05358630	Gasket	1	

Assembly	ENGINE
Code	34.11
Description	Trans.cpl.-Bevel gear
Revision	1



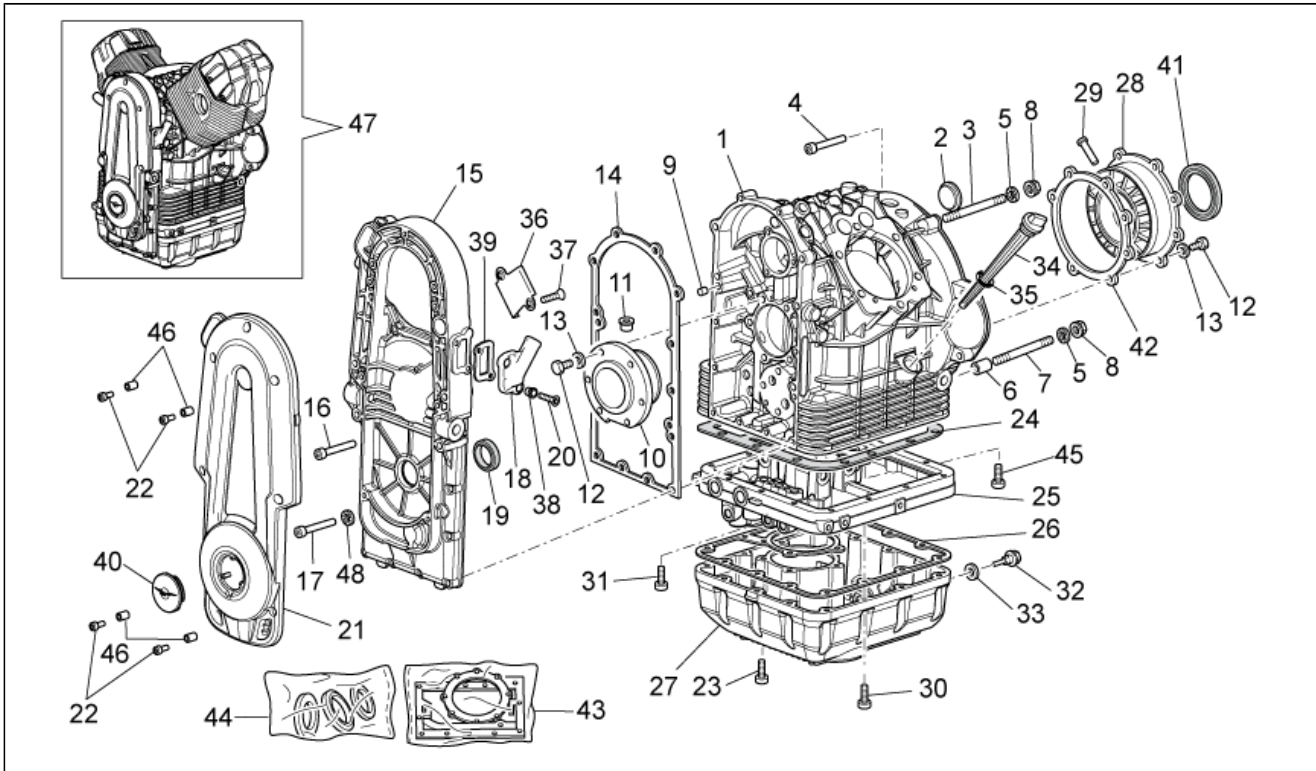
Pos.	Code	Description	Q.ty	Variants
1	GU05354230	Bevel gear kit 12/44	1	
2	GU05352430	Ring nut	1	
3	GU90404558	Gasket ring 45x58x7	1	
4	GU92208518	Ball bearing 85x120x18	1	
5	GU92204230	Ball bearing 30x62x16	1	
6	AP8121098	Bush	2	
7	AP8120485	Gasket ring	2	
8	GU90273026	Circlip	2	
9	GU05638130	Ball joint	1	

Assembly	ENGINE
Code	34.25
Description	Fuel supply
Revision	1



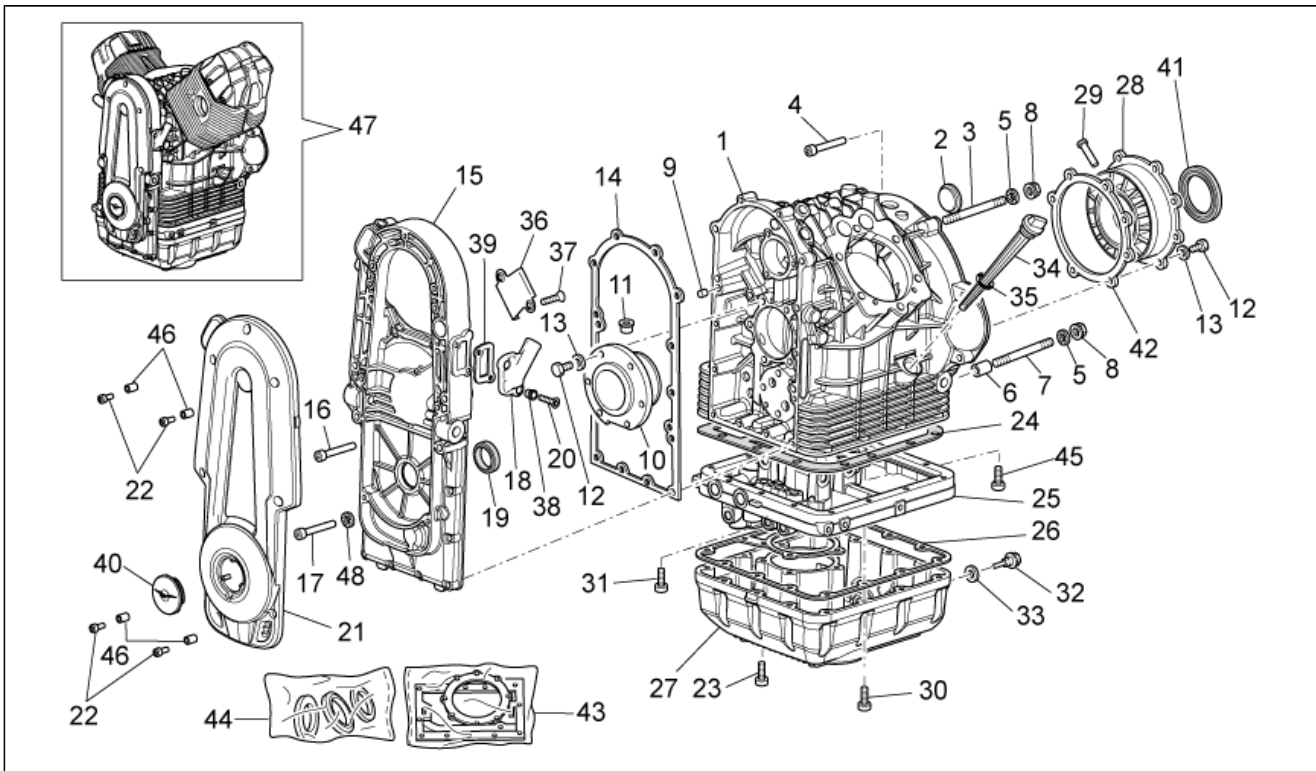
Pos.	Code	Description	Q.ty	Variants
1	GU05107230	Fuel pump cpl.	1	
2	AP8152273	Screw w/ flange M5x16	4	
3	977149	Fuel pipe, cpl.	1	
4	GU05135930	Pipe	1	
5	AP8152298	Screw w/ flange M5x16	2	
6	AP8152274	Screw w/ flange M5X20	2	

Assembly	ENGINE
Code	34.41
Description	Crank-case
Revision	1



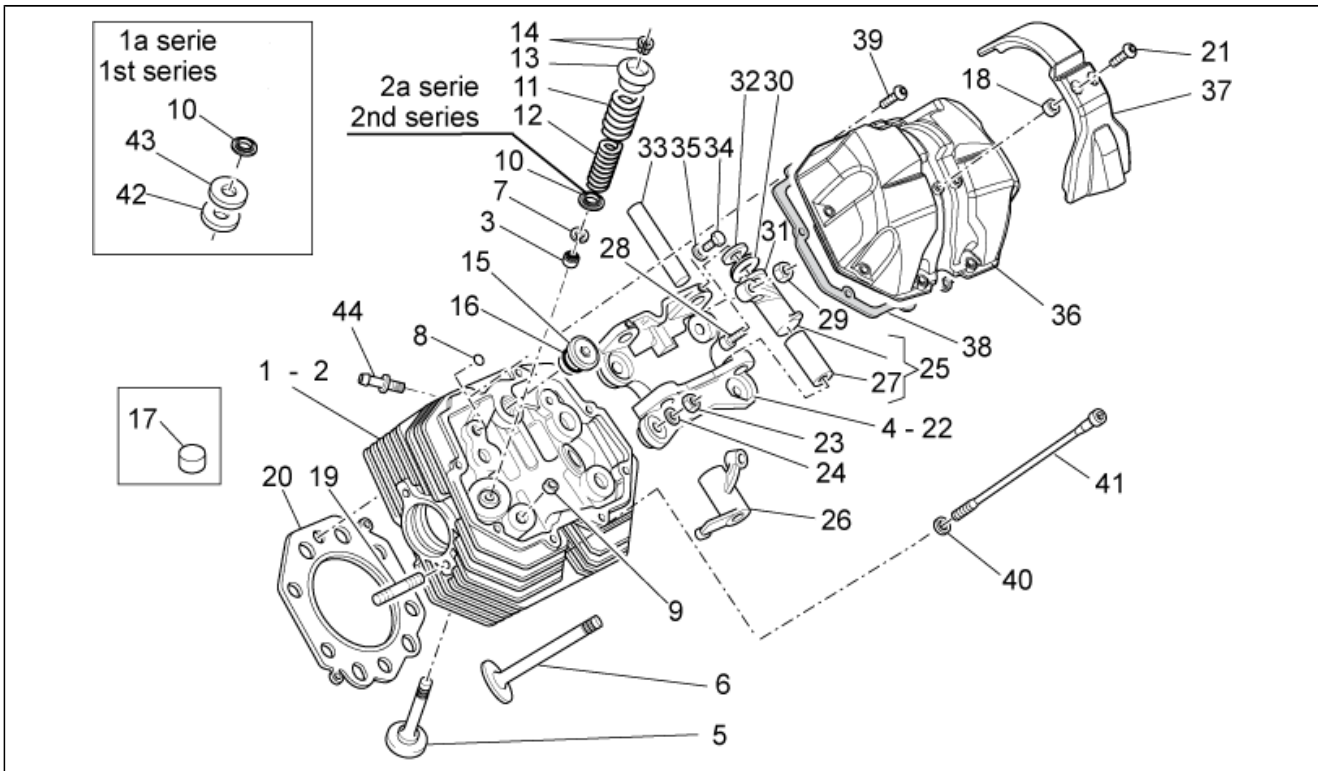
Pos.	Code	Description	Q.ty	Variants
1	976110	Crankcase, grey	1	
2	GU12003900	Disc	1	
3	GU96508066	Stud bolt M8X66	3	
4	AP8152291	Screw w/ flange M8x45*	1	
5	GU14615901	Washer 8,4X13X0,8	5	
6	GU12018900	Coupling bush	2	
7	GU96508075	Stud bolt M8x75	2	
8	GU92660021	Flanged nut M8	5	
9	GU95512081	Pin	2	
10	GU14011900	Complete flange	1	
11	GU12012200	Pin	1	
12	GU98084425	Hex screw M8x25	14	
13	GU61270300	Spring washer 8x15x0,3	14	
14	GU05001231	Cover gasket	1	
15	976098	Cover grey	1	
16	AP8150046	Hex socket screw M8x55	4	
17	GU98682330	Hex socket screw M6x30	10	
18	GU05007230	Union	1	
19	GU90412237	Gasket ring 22x35x7viton	1	
20	GU98682320	Hex socket screw M6x20	2	
21	GU05001630	Alternator cover grey	1	
22	GU98682316	Hex socket screw M6x16	4	
23	GU98680335	Hex socket screw M6x35	4	
24	GU01003651	Gasket	1	
25	976083	Flange grey	1	
26	GU05003630	Gasket	1	
27	976101	Oil sump grey	1	
28	GU12011400	Complete flange	1	

Assembly	ENGINE
Code	34.41
Description	Crank-case
Revision	1



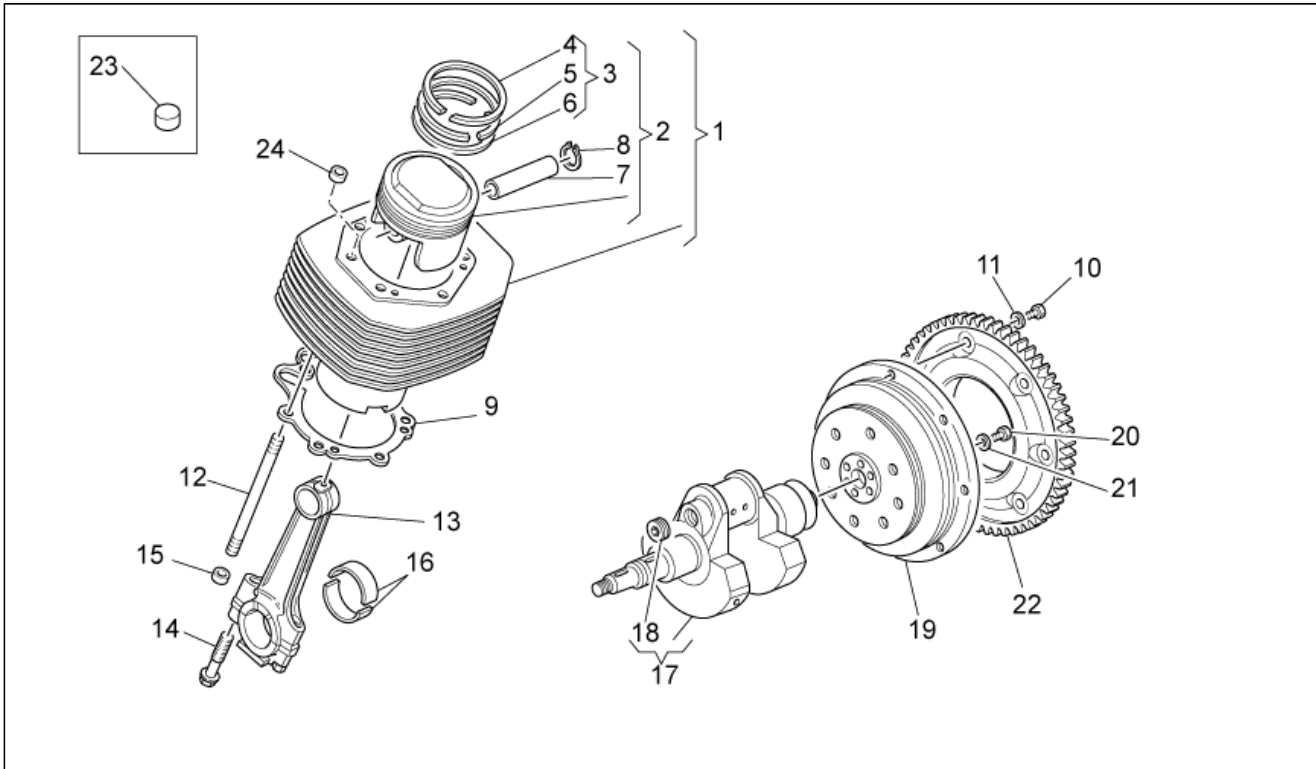
Pos.	Code	Description	Q.ty	Variants
29	GU12011700	Pin	1	
30	AP4ADN000007	Hex socket screw m6x55	14	
31	GU98680360	Hex socket screw M6x60	2	
32	GU31003766	Oil unload plug M10X1	1	
33	GU01528930	Gasket 10x18x1,5	1	
34	GU05004930	Oil level plug	1	
35	GU90706178	O-ring 17,86X2,62	1	
36	GU05007330	Plate	1	
37	GU98257408	Screw TSPEI M4x8	2	
38	GU91120607	Bush 6,4x8,4x10,5	2	
39	GU90706347	O-ring 34,65x1,78viton	1	
40	GU05002130	Plug	1	
41	GU90405367	Gasket ring	1	
42	GU05011830	Gasket	1	
43	976184	Engine set gasket	1	
44	976185	Engine oil seal kit/Gear box	1	
45	GU98680340	Hex socket screw M6X40	2	
46	GU91120606	Bush 6,8x8,8x5,8	4	
47	976930	Engine cpl.	1	
48	GU95008206	Washer 6,15x11x0,8	8	

Assembly	ENGINE
Code	34.42
Description	Cylinder head and valves II
Revision	1



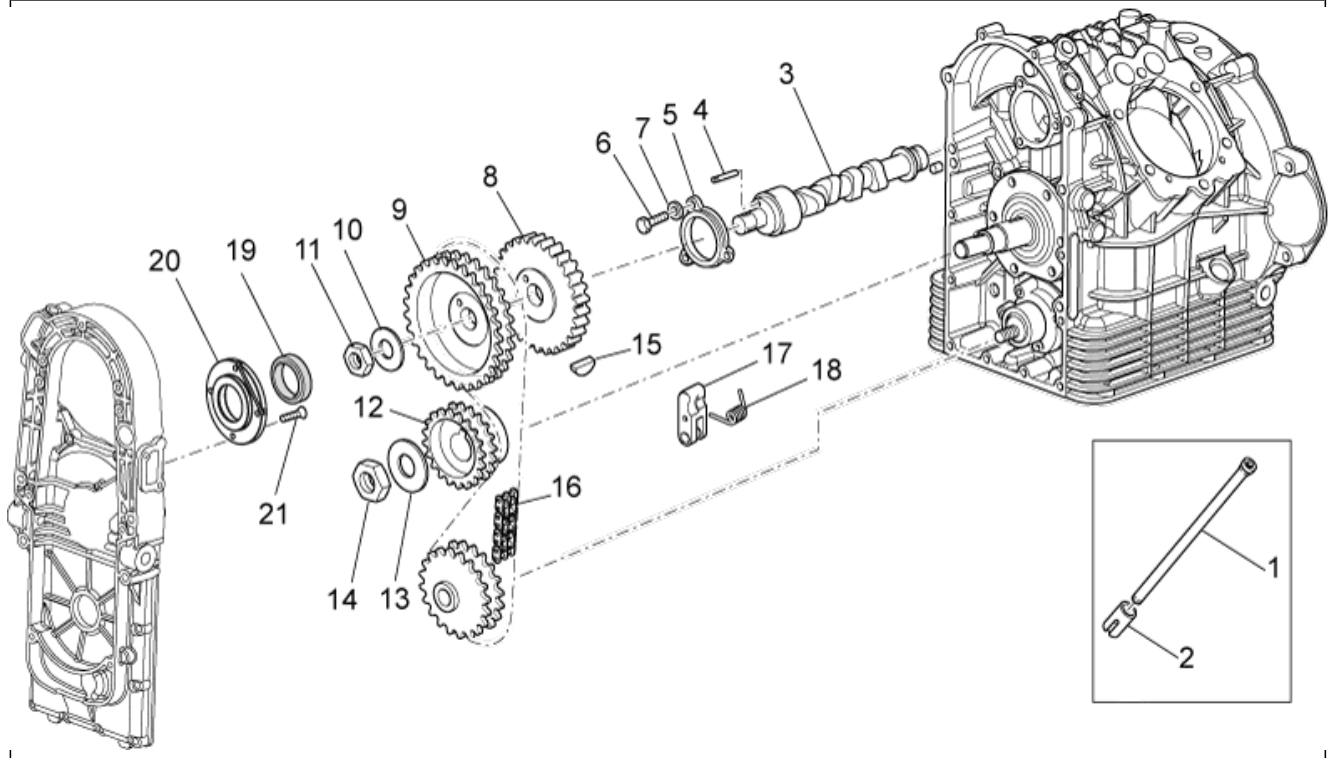
Pos.	Code	Description	Q.ty	Variants
28	GU17034050	Adjuster screw	4	
29	GU10034100	Nut	4	
30	GU94322215	Spring	4	
31	GU90118152	Washer 15,2x26x1	8	
32	GU10032700	Washer 15,2x26x0,5	4	
33	GU12031800	Rocker shaft	4	
34	GU98084316	Hex screw M6X16	4	
35	GU95120065	Washer 6,5x11x2	4	
36	976095	RH/LH head cover grey	2	
37	GU05023430	Insert	2	
38	976139	Cover gasket	2	
39	GU05025930	Screw M6x25	16	
40	GU95129180	Washer 10,5X18X0,8	4	
41	976144	Screw	4	
42	GU13037200	Washer 14,2x31x1	4	Technical Specifications:First series[1A]
43	GU14037300	Washer 14,2x31x0,3	10	Technical Specifications:First series[1A]
44	GU32023910	Breather union on head	2	

Assembly	ENGINE
Code	34.43
Description	Crankshaft cpl.
Revision	1



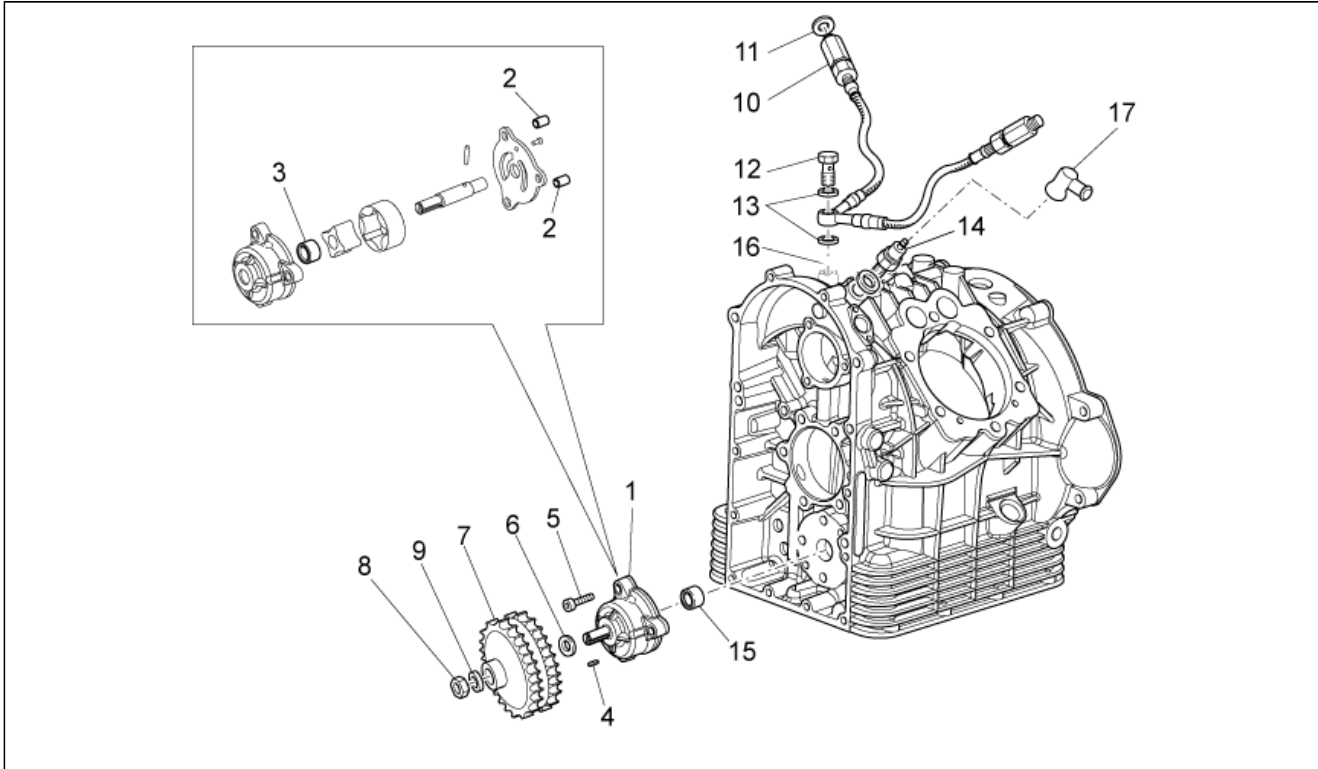
Pos.	Code	Description	Q.ty	Variants
1	976182	Cylinder with piston	2	
2	976069	Piston assy D.95	2	
3	976183	Pistonring set	2	
4	976070	Piston ring	2	
5	976071	Piston ring	2	
6	976072	Piston ring	2	
7	GU30061241	Piston pin	2	
8	GU90351038	Stop ring	4	
9	976064	Gasket	2	
10	GU37067705	Screw TCEI M6x12	8	
11	GU14217901	Washer 6,4x10x0,7	8	
12	976031	Stud bolt	8	
13	976003	Connecting rod cpl.	2	
14	849131	Connecting rod screw	4	
15	825597	Pin 11,8X10	6	
16	976171	Bearing half-shell 1,535-1,540	4	Technical Specifications:Red Sign[RS]
16	976172	Bearing half-shell 1,539-1,544	4	Technical Specifications:Blue sign[BS]
17	976187	Crankshaft cpl.	1	
18	GU37065405	Plug	1	
19	GU04067000	Flywheel cpl.	1	
20	976481	Screw w/ flange M8X25	6	
21	976484	Conical spring washer 8,2X15	6	
22	GU01067930	Chain ring	1	
23	GU05025330	Rubber spacer	54	

Assembly	ENGINE
Code	34.44
Description	Timing system
Revision	1



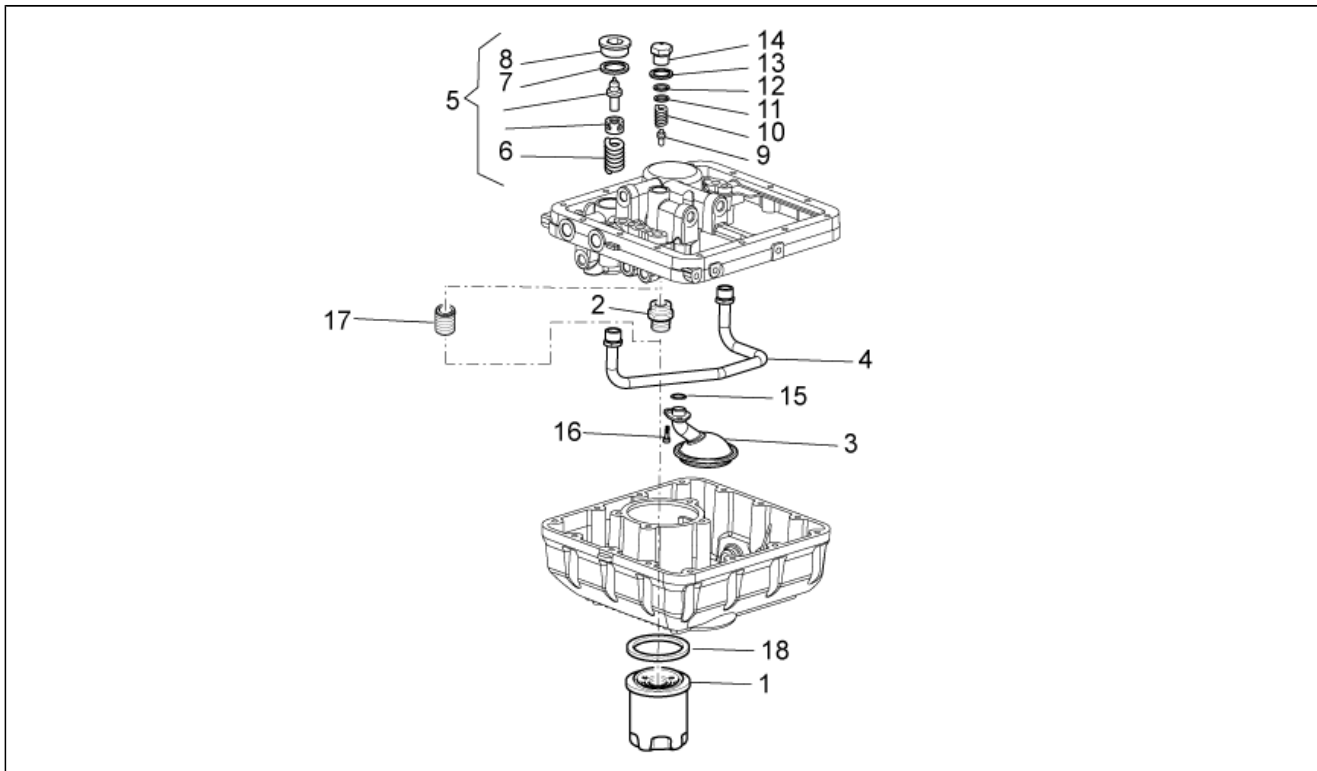
Pos.	Code	Description	Q.ty	Variants
1	GU37045006	Rocker arm rod	4	
2	GU17045860	Tappet	4	
3	GU05053331	Camshaft	1	
4	GU14234600	Pin	1	
5	GU01054001	Flange	1	
6	GU98084320	Hex screw M6x20	3	
7	GU95120065	Washer 6,5x11x2	3	
8	GU01051730	Wheel speed sensor, left front	1	
9	GU05054532	Timing system gear	1	
10	GU14433400	Spring washer 19x34x1,5	1	
11	GU92750180	Nut M18	1	
12	GU14072001	Pinion	1	
13	GU95100837	Washer 25,5x35x2	1	
14	GU92602525	Nut M25	1	
15	GU91600365	Transmission key 3x6,5	1	
16	GU05058030	Chain	1	
17	GU30058310	Chain guide plate	1	
18	GU30059211	Spring	1	
19	GU90401532	Gasket ring 15x32x7viton	1	
20	GU05055230	Support	1	
21	AP8152043	Hex socket screw M4x10	4	

Assembly	ENGINE
Code	34.45
Description	Oil pump
Revision	1



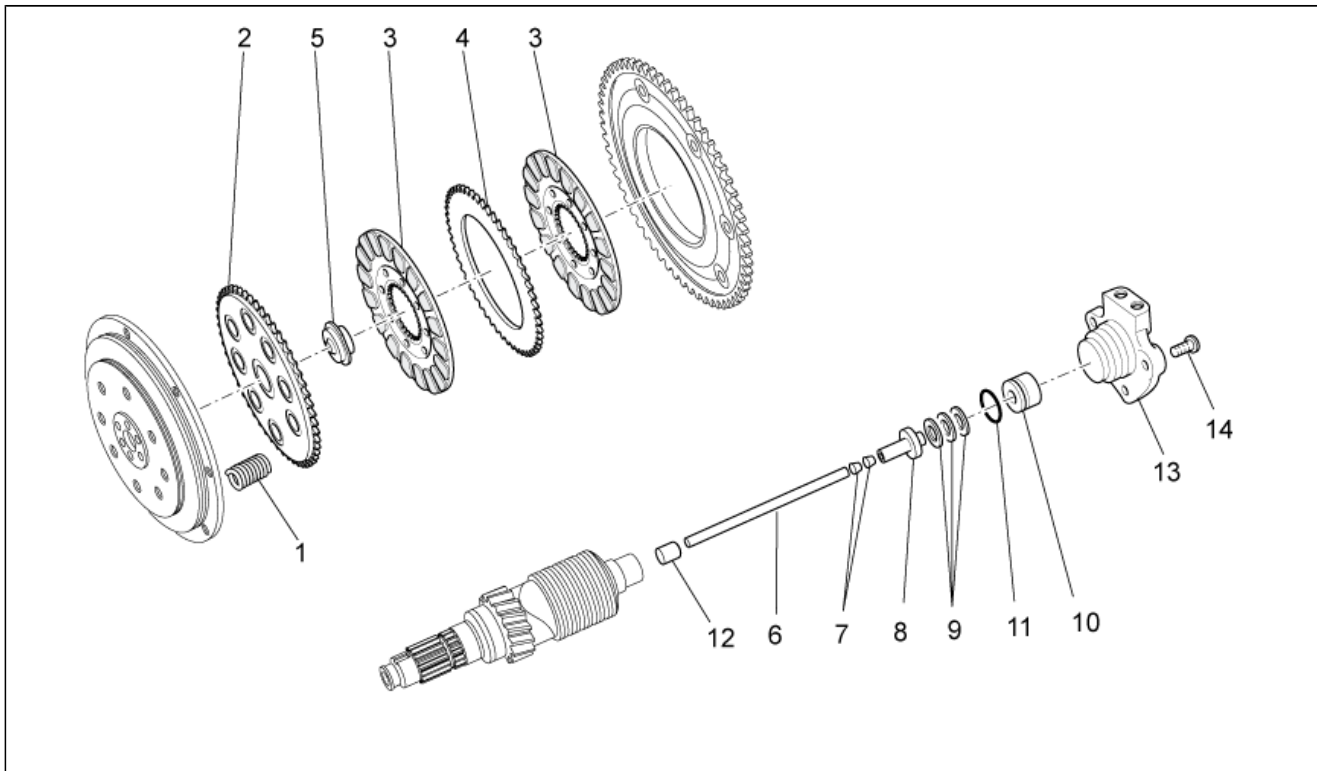
Pos.	Code	Description	Q.ty	Variants
1	976134	Oil pump	1	
2	277916	Locating dowel	2	
3	976165	Needle bearing 12x18x12	1	
4	GU13148300	Transmission key	1	
5	GU98350330	Hex socket screw M6x30	3	
6	976448	Fifth wheel	1	
7	GU30147700	Oil pump gear	1	
8	GU92602510	Nut M10x1,25	1	
9	GU19149800	Washer 10,5x16x1	1	
10	GU05153630	Pipe	1	
11	GU25656102	Gasket	2	
12	GU95990037	Screw	1	
13	GU12154200	Gasket 8,25x15x1	2	
14	GU31768780	Pressure sensor	1	
15	976168	Needle bearing 10x14x12	1	
16	GU12006400	Gasket 12,25	1	
17	976688	Pressure oil sensor cap	1	

Assembly	ENGINE
Code	34.46
Description	Oil filters
Revision	1



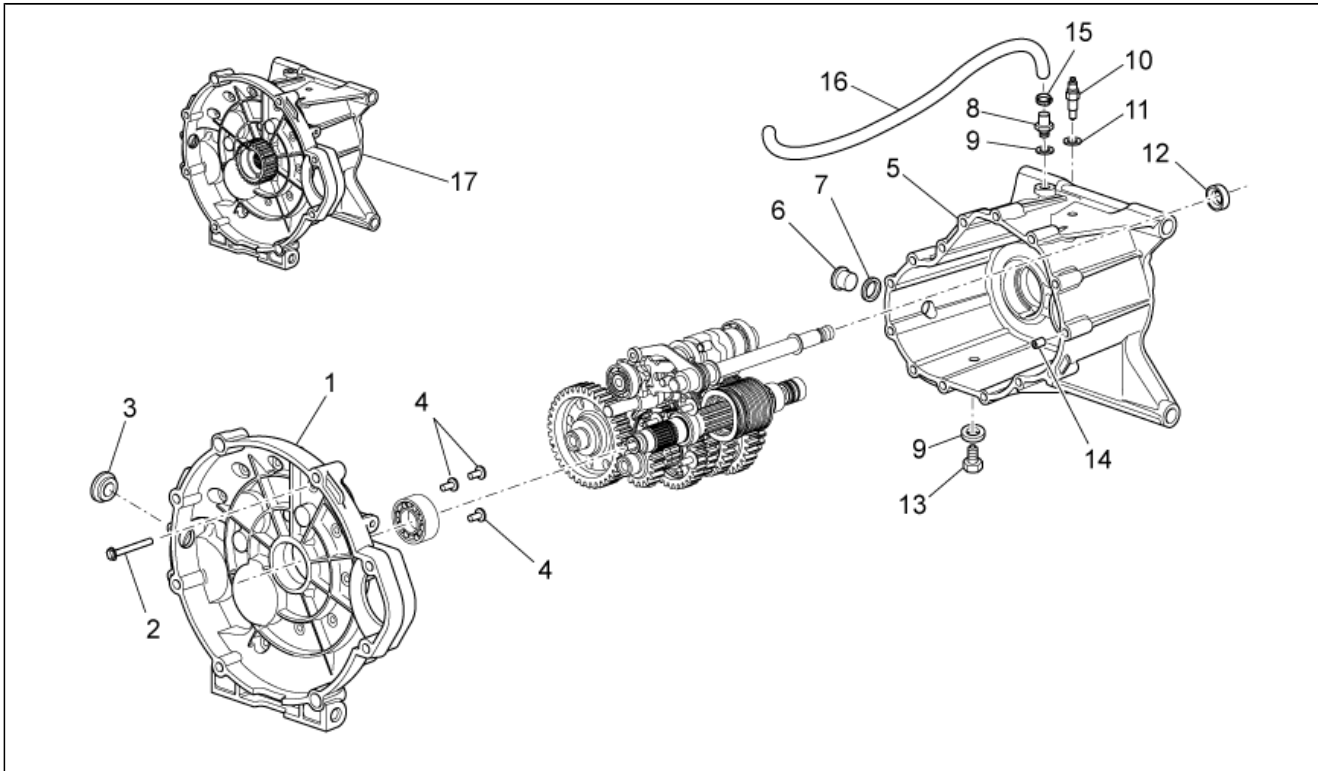
Pos.	Code	Description	Q.ty	Variants
1	GU30153000	Oil filter	1	
2	GU30003800	Oil filter union	1	Technical Specifications: First series[1A], Up to engine A1 12809[M1]
3	GU05152230	Oil filter	1	
4	GU05005730	Pipe	1	
5	GU01163500	Thermostatic valve compl.	1	
6	GU20164010	Spring	1	
7	GU01163700	Copper gasket	1	
8	976635	Plug	1	
9	GU30150900	Piston	1	
10	GU94321077	Spring	1	
11	GU95008206	Washer 6,15x11x0,8	2	
12	GU30158900	Washer	1	
13	GU18144350	Washer 18,25x24x1	1	
14	GU31159050	Plug	1	
15	GU90706151	O-ring 15,08x2,62viton	1	
16	GU98682316	Hex socket screw M6x16	2	
17	829122	Oil filter union	1	Technical Specifications: Second series[2A], From engine A1 12810[M2]
18	981115	Gasket	1	Technical Specifications: Ref. Technical communication #[CT1]

Assembly	ENGINE
Code	34.47
Description	Clutch
Revision	1



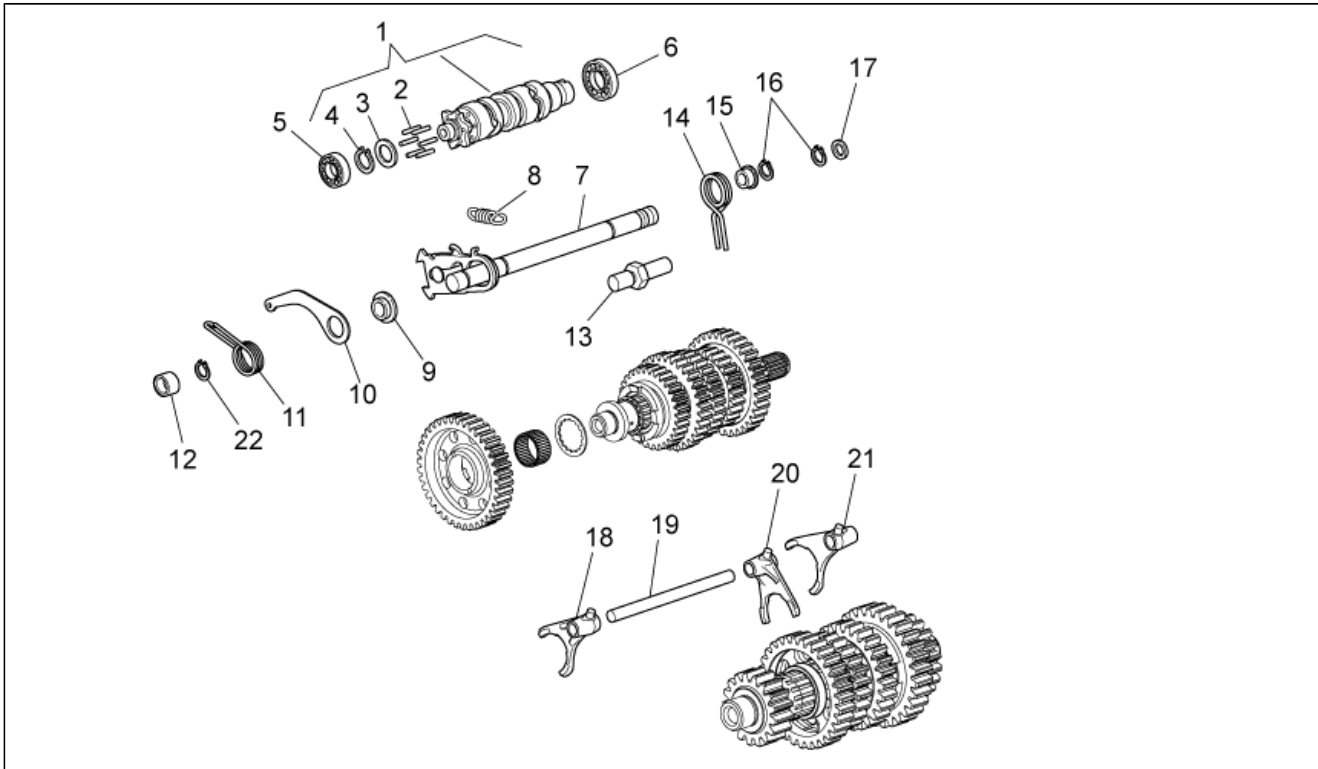
Pos.	Code	Description	Q.ty	Variants
1	GU04084100	Clutch spring	5	
1	GU13084100	Clutch spring	5	Technical Specifications:Red Sign[RS]
2	GU30082900	Disc	1	
3	GU05084430	Clutch plate complete	2	
4	GU12082300	Intermediate plate	1	
5	GU04082800	Cup	1	
6	GU05085730	Rod	1	
7	GU14085900	Bush	2	
8	GU14086000	Inner body	1	
9	GU12087001	Thrust bearing	1	
10	GU04086100	Clutch control cylinder	1	
11	GU90706170	O-ring 17,13x2,62	1	
12	GU05217630	Bush	1	
13	GU05086330	Clutch command cylinder	1	
14	AP8152278	Screw w/ flange M6x16*	3	

Assembly	ENGINE
Code	34.48
Description	Transmission cage
Revision	1



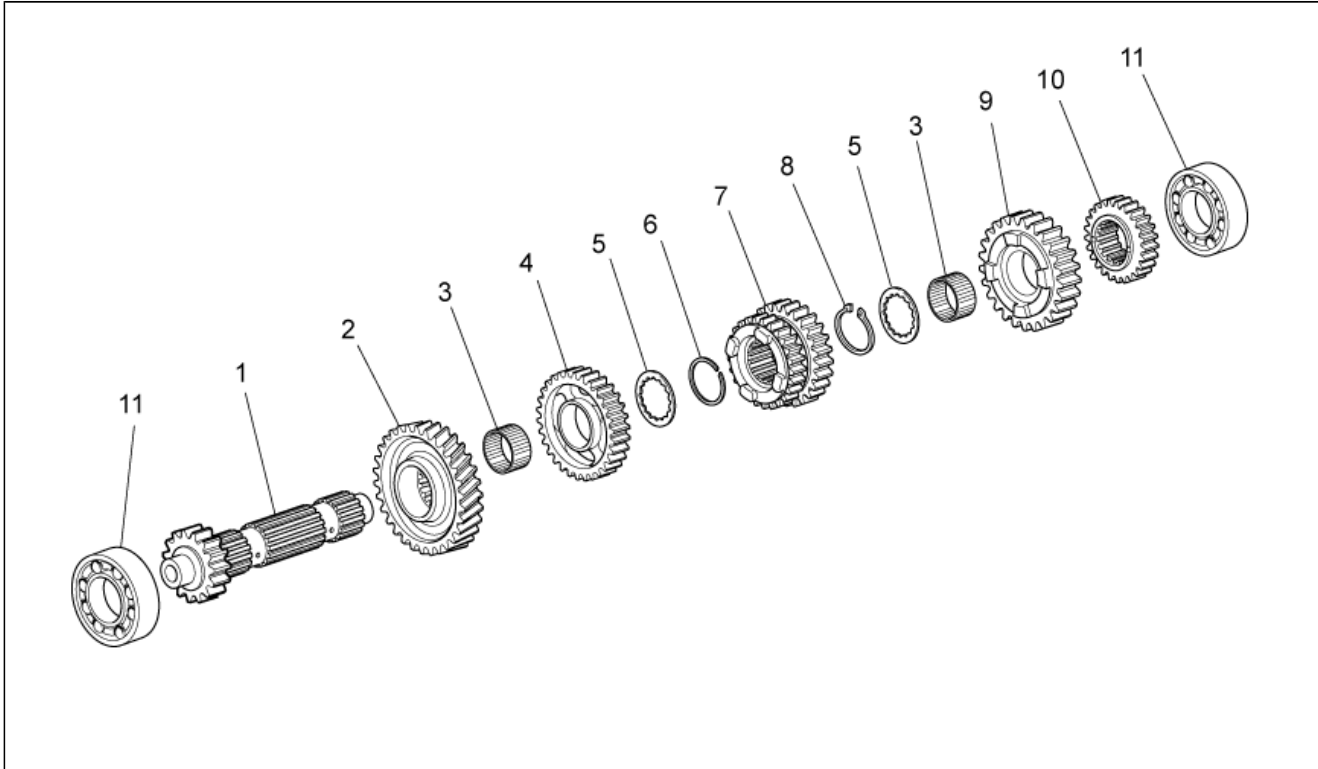
Pos.	Code	Description	Q.ty	Variants
1	976102	Clutch housing, grey	1	
2	GU97202355	Screw w/ flange M6x55	14	
3	GU93180220	Plug	1	
4	GU98370616	Hex socket screw M6X16	3	
5	976104	Gearbox, grey	1	
6	GU95980319	Oil plug M18x1,5	1	
7	GU18144350	Washer 18,25x24x1	1	
8	GU05204930	Breather plug	1	
9	GU01528930	Gasket 10x18x1,5	2	
10	GU19207220	Sensor	1	
11	GU12154200	Gasket 8,25x15x1	1	
12	GU90401424	Gasket ring 14x24x7	1	
13	GU31003766	Oil unload plug M10X1	1	
14	GU19002020	Bush 6,6x9x13	2	
15	AP8101595	Hose clamp D10,1*	1	
16	AP8120952	Fuel pipe 5,5x10	1	
17	976919	Gear box Assy	1	

Assembly	ENGINE
Code	34.49
Description	Gear box selector
Revision	1



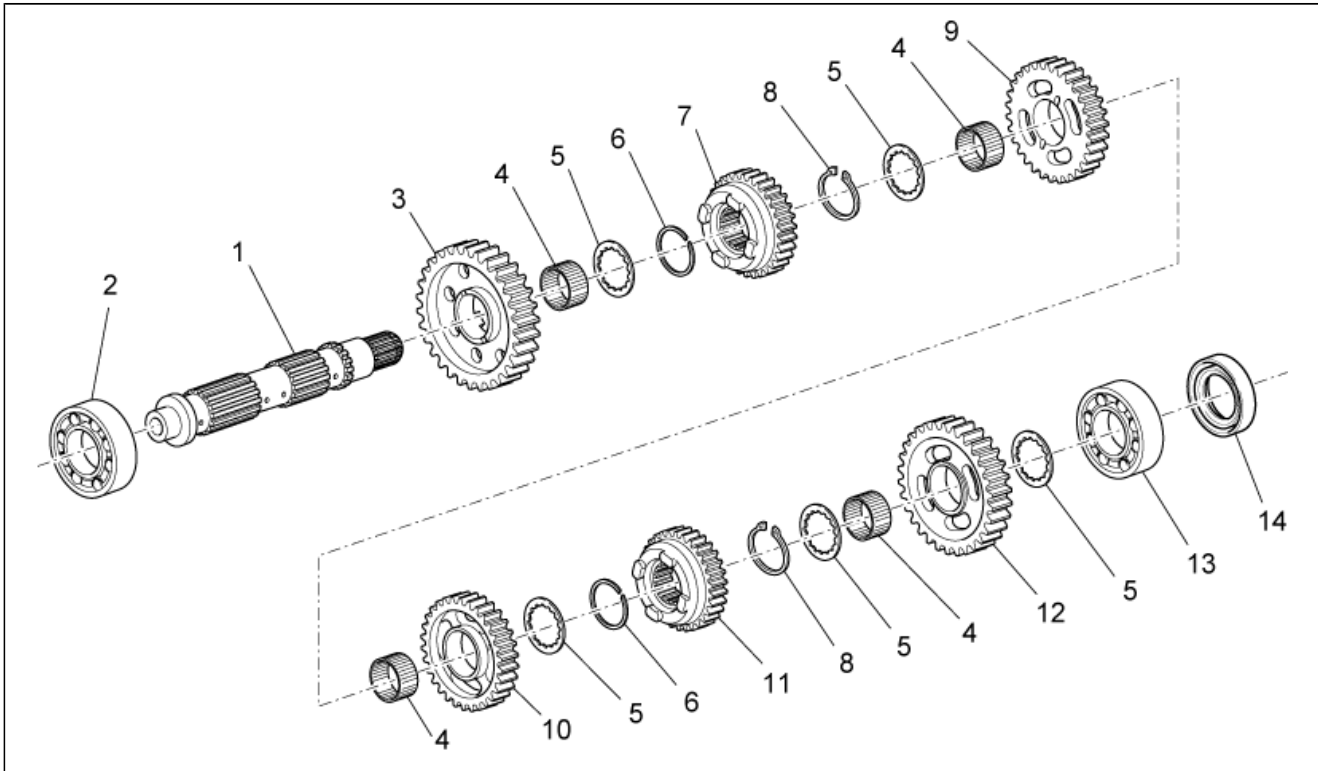
Pos.	Code	Description	Q.ty	Variants
1	GU05234431	Shift cam cpl.	1	
2	GU05234631	Pin	6	
3	GU05235531	Spacer	1	
4	GU90271022	Circlip	1	
5	GU92201117	Ball bearing 17x35x10	1	
6	GU92201025	Ball bearing 25x42x9	1	
7	GU05236231	Preselection complete	1	
8	GU05238231	Spring	1	
9	GU05238431	Bush	1	
10	GU05234731	Lever Index	1	
11	GU05234130	Spring	1	
12	GU05234230	Spacer	1	
13	GU05234931	Fixing pin	1	
14	GU05238331	Spring	1	
15	GU05238131	Spacer	1	
16	GU90271014	Circlip	2	
17	GU05239330	Fifth wheel	1	
18	GU05230531	Fork 1a-3a	1	
19	GU05232431	Fork shaft	1	
20	GU05232631	Fork 5a-6a	1	
21	GU05230831	Fork 2a-4a	1	
22	GU90353014	Circlip	1	

Assembly	ENGINE
Code	34.50
Description	Primary gear shaft
Revision	1



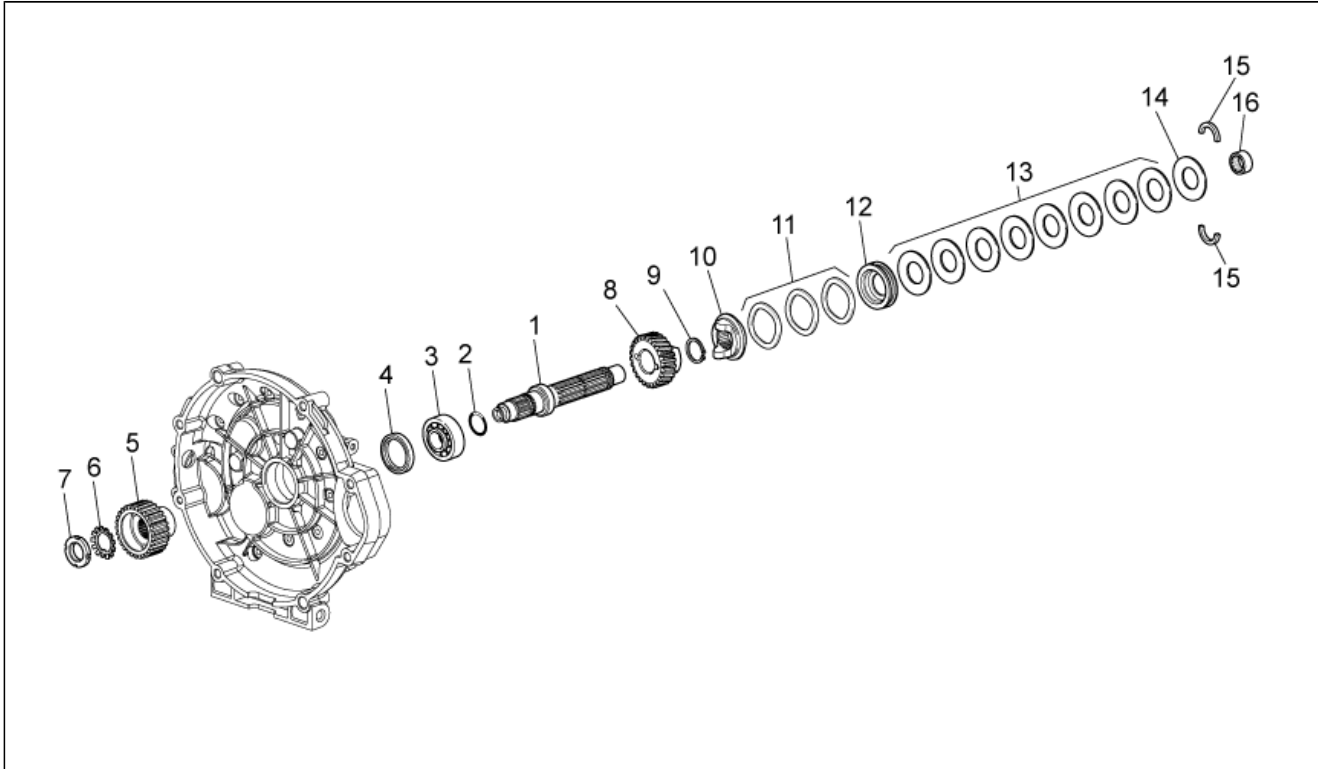
Pos.	Code	Description	Q.ty	Variants
1	GU05210631	Primary gear shaft Z=17	1	
2	GU06215600	Drive gears Z=35	1	
3	GU92252029	Roller cage 26x30x15,6	2	
4	976177	Gear 5a Z=31	1	
5	GU05214630	Clearance washer	2	
6	GU90271230	Snap ring 30x1,2SW	1	
7	GU05211431	Gear 3a-4a Z=23-26	1	
8	GU90271030	Snap ring 30x27,9	1	
9	976179	Gear 6a Z=30	1	
10	GU05211331	Gear 2a Z=20	1	
11	GU92201822	Ball bearing 20x52x15	2	

Assembly	ENGINE
Code	34.51
Description	Driven shaft
Revision	1



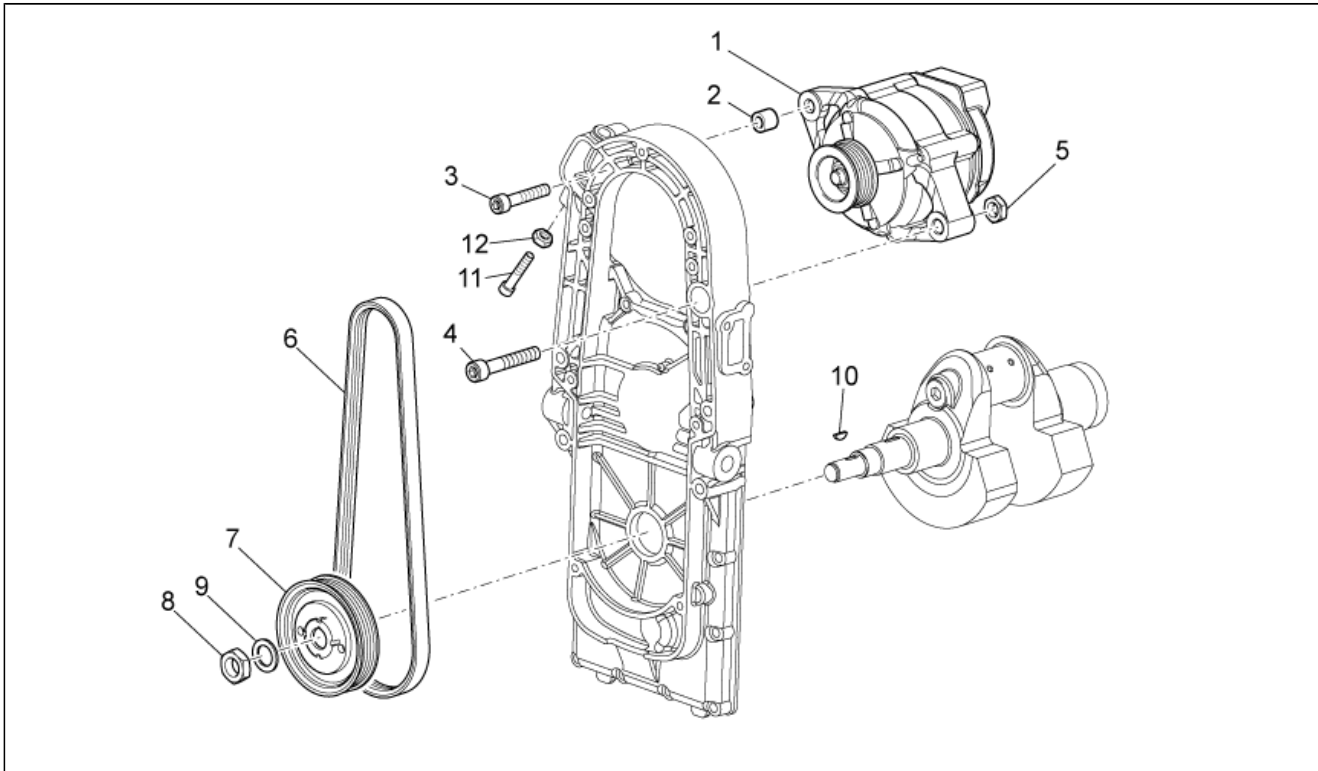
Pos.	Code	Description	Q.ty	Variants
1	GU05213631	Driven shaft	1	
2	GU92201822	Ball bearing 20x52x15	1	
3	GU05214231	Gear 1a Z=38	1	
4	GU92252029	Roller cage 26x30x15,6	4	
5	GU05214630	Clearance washer	5	
6	GU90271230	Snap ring 30x1,2SW	2	
7	976178	Gear 5a Z=29	1	
8	GU90271030	Snap ring 30x27,9	2	
9	GU05214731	Gear 3a Z=31	1	
10	GU05215031	Gear 4a Z=29	1	
11	976180	Gear 6a Z=24	1	
12	GU05214431	Gear 2a Z=34	1	
13	GU92201226	Ball bearing 25x52x15	1	
14	GU90412541	Gasket ring 25x40x7	1	

Assembly	ENGINE
Code	34.52
Description	Clutch shaft
Revision	1



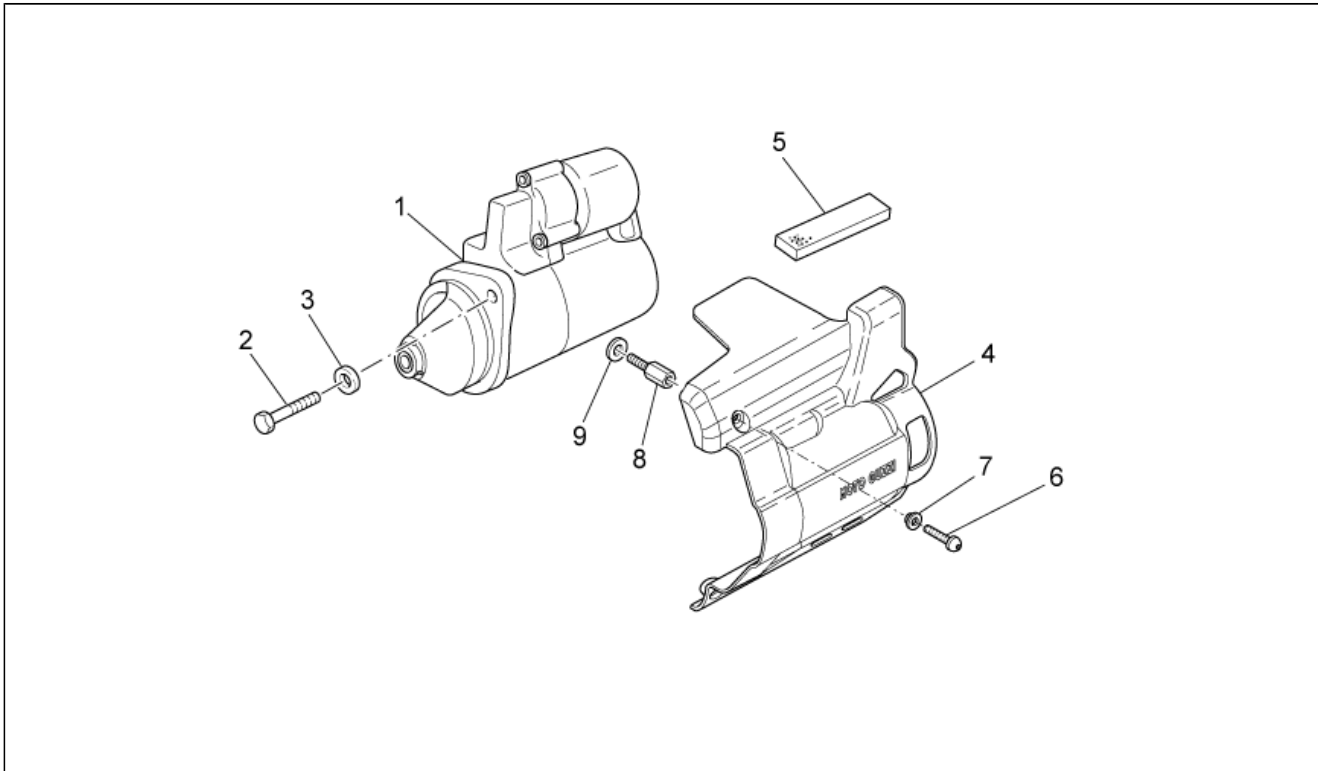
Pos.	Code	Description	Q.ty	Variants
1	GU05210731	Clutch shaft	1	
2	GU90706203	O-ring 20,24X2,62	1	
3	GU92201226	Ball bearing 25x52x15	1	
4	GU90403549	Gasket ring 35x47x7	1	
5	GU05081830	Clutch gear	1	
6	GU95028022	Washer 22x20x3,9	1	
7	GU93601022	Ring nut	1	
8	GU06211100	Idle gear Z=24	1	
9	GU90271125	Snap ring 25x2	1	
10	GU05211231	Hose	1	
11	GU95129340	Washer	3	
12	GU05211030	Disc	1	
13	GU05211530	Belleville spring	8	
14	GU05211630	Disc	1	
15	GU12211700	Half ring	2	
16	GU92232028	Roller bearing 20x28x13	1	

Assembly	ENGINE
Code	34.53
Description	Current generator
Revision	1



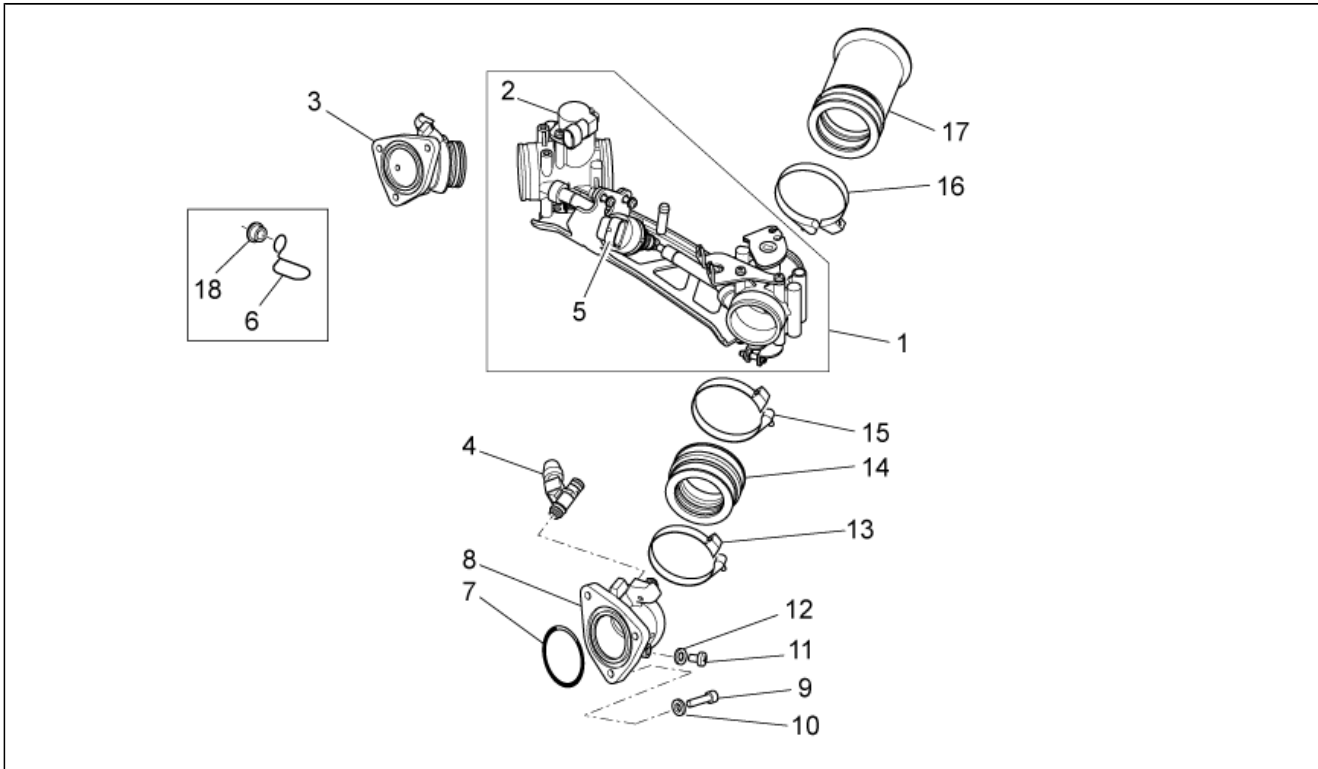
Pos.	Code	Description	Q.ty	Variants
1	GU05712431	Generator	1	
2	GU91180823	Spacer 8,5x17x13	1	
3	GU98620445	Hex socket screw M8x45	1	
4	GU98620560	Hex socket screw M10x60	1	
5	GU92660012	Nut M10x1,5	1	
6	GU05702530	Belt	1	
7	GU05701430	Generator lever pulley	1	
8	GU92606516	Nut M16	1	
9	GU30714201	Washer 16,25x24,5x5	1	
10	000267	Transmission key	1	
11	GU98230850	Hex socket screw M8x50	1	
12	GU92605408	Nut M8x1,25	1	

Assembly	ENGINE
Code	34.54
Description	Starter motor
Revision	1



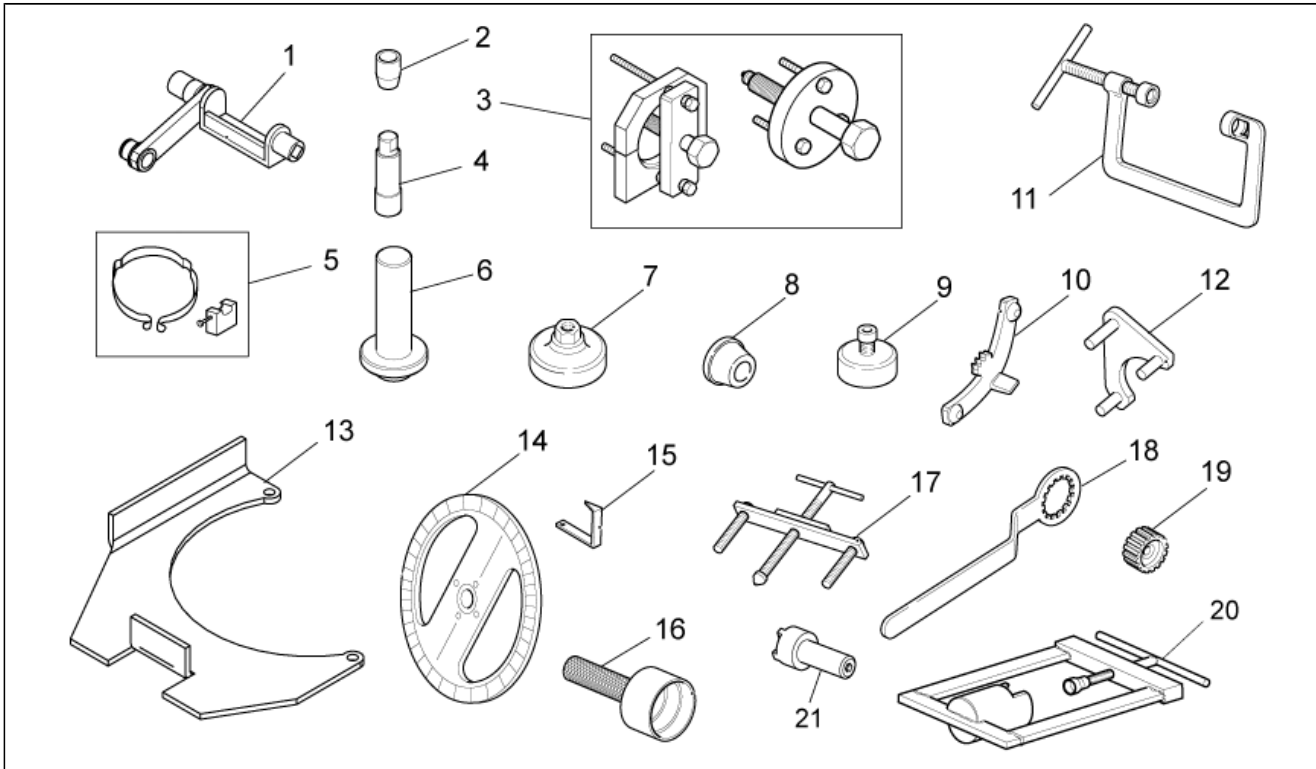
Pos.	Code	Description	Q.ty	Variants
1	GU05730730	Starter motor Bosch	1	
2	GU98082475	Screw M8X75	2	
3	GU95008208	Washer 8,4X15X1,5	2	
4	GU05733330	Cover chrome grey	1	
5	AP8117200	Adhesive sponge	1	
6	GU98370609	Hex socket screw M6x10	2	
7	AP8121032	Bush	2	
8	GU03469201	Stud bolt	1	
9	GU03013800	Washer 6,4x12	1	

Assembly	ENGINE
Code	34.55
Description	Throttle body
Revision	1



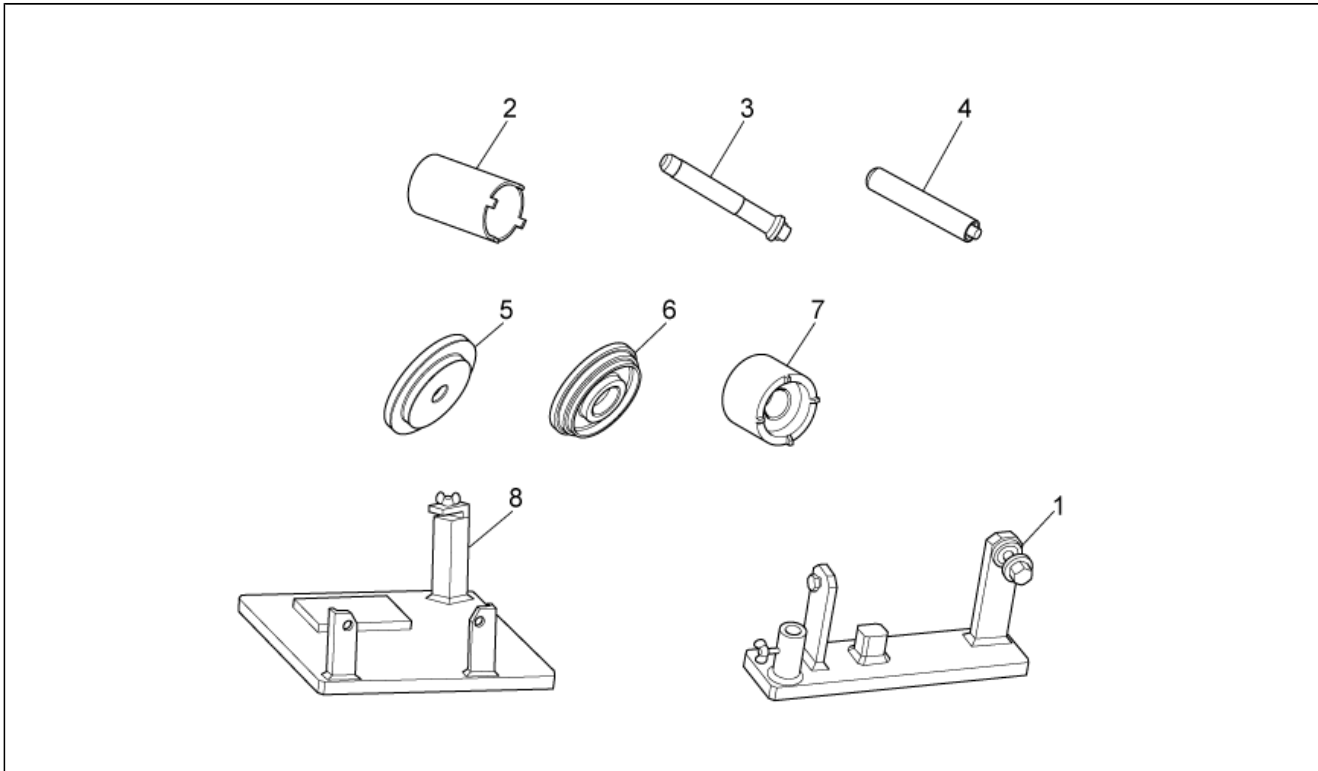
Pos.	Code	Description	Q.ty	Variants
1	GU05112530	Throttle assy	1	
2	GU05112830	Potentiometer	1	
3	GU05115030	RH manifold	1	
4	GU05115730	Injector kit complete	2	
5	981011	Min.regulation engine	1	
6	AP8120428	Cable-guide	1	
7	GU90706461	O-ring 46,04x3,53	2	
8	GU05115031	LH manifold	1	
9	GU98682325	Hex socket screw M6x25	6	
10	GU95008206	Washer 6,15x11x0,8	6	
11	GU98350310	Hex socket screw M6x20	2	
12	GU95100116	Washer 6,25x10x1,5	2	
13	GU93305057	Hose clamp 57x59,5x10	2	
14	GU01114390	Hose	2	
15	GU93305061	Hose clamp 61/65,5	2	
16	GU93305058	Hose clamp	2	
17	GU05114430	Intake hose	2	
18	GU31576183	Spacer	1	

Assembly	SPECIAL TOOLS
Code	36.56
Description	Specific tools I
Revision	1



Pos.	Code	Description	Q.ty	Variants
1	GU05948630	Belt tensioning tool	1	
2	GU05911730	Front cover installation cone	1	
3	GU05912530	Gearbox opening tool	1	
4	GU05901930	Spark plug key	1	
5	GU05928030	Piston ring clamp	1	
6	GU05927230	Timing cover seal drift	1	
7	GU01929100	Wrench remov.cover sump/filter	1	
8	GU12912000	Flange flywheel side	1	
9	GU14927100	Seal ring onto flange fly.side	1	
10	GU12911801	Lock flywh.starter motor gear	1	
11	GU10907200	Valve removal and fitting	1	
12	GU14927300	Clamping the camshaft gearing	1	
13	GU05902530	Gearbox housing support	1	
14	GU19929600	Index plate tim.sett./ign.cont	1	
15	GU17947560	Arrow tim.set.ignition control	1	
16	GU19927100	Seal ring flange flywheel side	1	
17	GU12913600	Flange removal flywheel side	1	
18	GU30912810	Locking clutch internal body	1	
19	GU30906510	Tool for clutch assembly	1	
20	GU01966330	Flexible couplings assembly	1	
21	GU14912603	Key	1	

Assembly	SPECIAL TOOLS
Code	36.57
Description	Specific tools II
Revision	1



Pos.	Code	Description	Q.ty	Variants
1	GU05902736	Bevel gears support	1	
2	AP8140190	Steering lock tool	1	
3	GU05902732	Handle for drifts	1	
4	GU05902733	Ball joint seal drift	1	
5	GU05902731	Transmis.box oil seal drift 85	1	
6	GU05902735	Sprocket oil seal drift 45x58	1	
7	GU05902734	Wrench for sprocket ring nut	1	
8	GU05902730	Transmission box support	1	